

Materials :

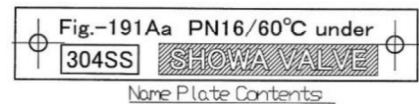
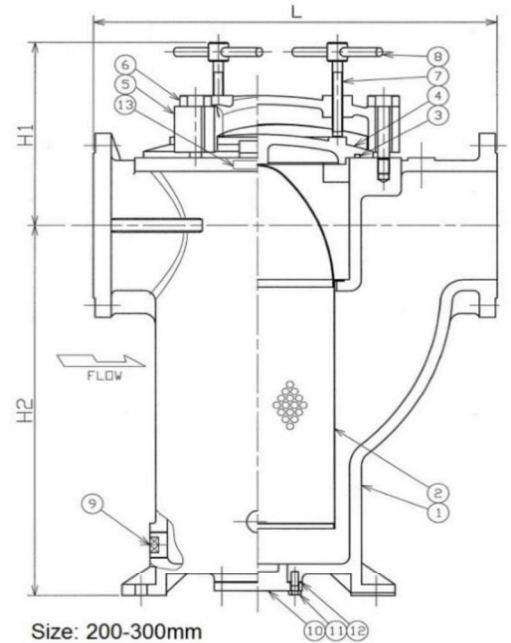
| No. | Parts | Material | Standard |
|-------|--------------|-----------------------|--------------|
| 1 | Body | Cast Iron | BS EN1561 |
| 2 | Screen | 304 Stainless Steel | BS EN10088-1 |
| 3 | O-ring | NBR | |
| 4 | Cover | Cast Iron | BS EN1561 |
| 5 | Push block | Ductile Iron | BS EN1563 |
| 6, 11 | Bolt | Steel | |
| 7 | Lever | Steel (50~150mm) | |
| | Push bolt | Steel (200~300mm) | |
| 8 | Bolt | Steel (50~150mm) | |
| | Bar | Steel (200~300mm) | |
| 9 | Plug | Steel | |
| 10 | Bottom plug | Cast Iron (50~150mm) | BS EN1561 |
| | Bottom cover | Cast Iron (200~300mm) | BS EN1561 |
| 12 | Gasket | Non-asbestos | |
| 13 | Name Plate | Aluminum | |
| - | Coating | Blue powder epoxy | |

Dimensions of Punching :

| Size | Hole | Pitch | Free Area Ratio |
|-------------|--------|--------|-----------------|
| DN50~DN65 | 3.2 mm | 4.6 mm | min. 7.5 |
| DN80 | 3.8 mm | 4.8 mm | min. 8.0 |
| DN100~DN300 | 4.0 mm | 5.0 mm | min. 6.5 |

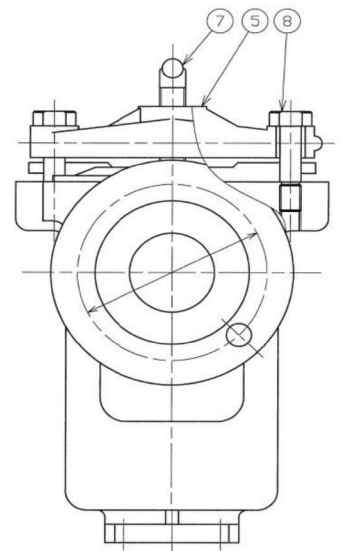
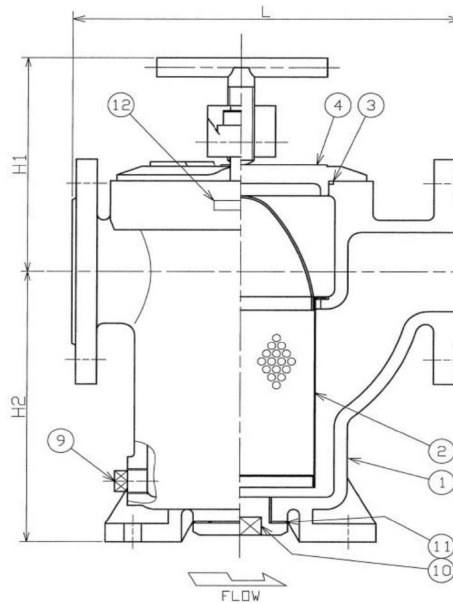
Dimensions (mm) :

| Nominal Size | 50 | 65 | 80 | 100 | 150 | 200 | 250 | 300 | |
|--------------|-----------|-----|-----|-----|-----|-----|-----|------|-----|
| L | 267 | 295 | 334 | 427 | 497 | 685 | 838 | 857 | |
| H1 | 176 | 184 | 202 | 256 | 285 | 338 | 422 | 450 | |
| H2 | 194 | 223 | 279 | 273 | 469 | 685 | 790 | 1114 | |
| Weight | Kg | 17 | 25 | 33 | 69 | 117 | 260 | 413 | 700 |



Working Pressure and Test Pressure :

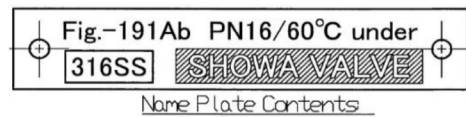
| Flange Standard | Working Pressure | Hydraulic Test Pressure |
|---------------------|--|-------------------------|
| BS EN1092-2 PN16 | 16 bar (Non-Shock) at 60 deg. C & below | Body 24 bar |



Size: 50 - 65mm

Materials :

| No. | Parts | Material | Standard |
|-----|-------------|---------------------|--------------|
| 1 | Body | Cast Iron | BS EN1561 |
| 2 | Screen | 316 Stainless Steel | BS EN10088-1 |
| 3 | O-ring | NBR | |
| 4 | Cover | Cast Iron | BS EN1561 |
| 5 | Push block | Ductile Iron | BS EN1563 |
| 6 | - | - | |
| 7 | Lever | Steel | |
| 8 | Bolt | Steel | |
| 9 | Plug | Steel | |
| 10 | Bottom plug | Cast Iron | BS EN1561 |
| 11 | Gasket | Non-asbestos | |
| 12 | Name Plate | Aluminum | |
| - | Coating | Blue powder epoxy | |



Dimensions (mm) :

| Nominal Size | 50 | 65 |
|---------------------------|-----|-----|
| L | 267 | 295 |
| H1 | 176 | 184 |
| H2 | 194 | 223 |
| Weight Kg | 17 | 25 |

Dimensions of Punching :

| Size | Hole | Pitch |
|-----------|--------|--------|
| DN50~DN65 | 1.5 mm | 2.5 mm |

Working Pressure and Test Pressure :

| Flange Standard | Working Pressure | Hydraulic Test Pressure |
|---------------------|--|-------------------------|
| BS EN1092-2 PN16 | 16 bar (Non-Shock) at 60 deg. C & below | Body 24 bar |