

Model SC PVDF Simplex Strainers

Dimensions

Nominal Size		A (in.)	B (in.)	C (in.)
(in.)	(mm)			
1/2"	20	10.3	7.7	7.5
3/4"	25	10.3	7.7	7.5
1"	32	10.3	7.7	7.5
1-1/4"	40	12.1	12.5	8.5
1-1/2"	50	12.5	12.5	8.5
2"	63	12.1	12.5	8.5
3"	90	14.6	16.4	10.6

Construction

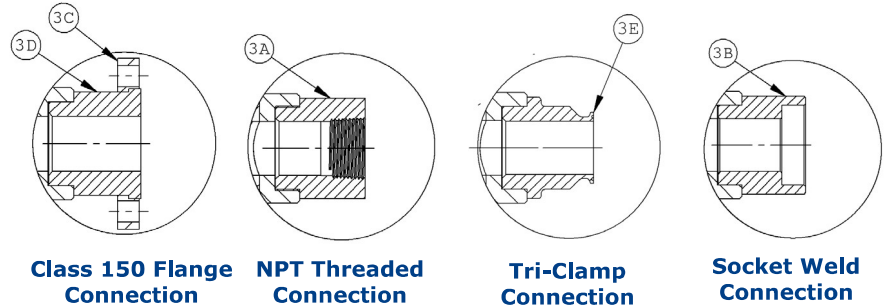
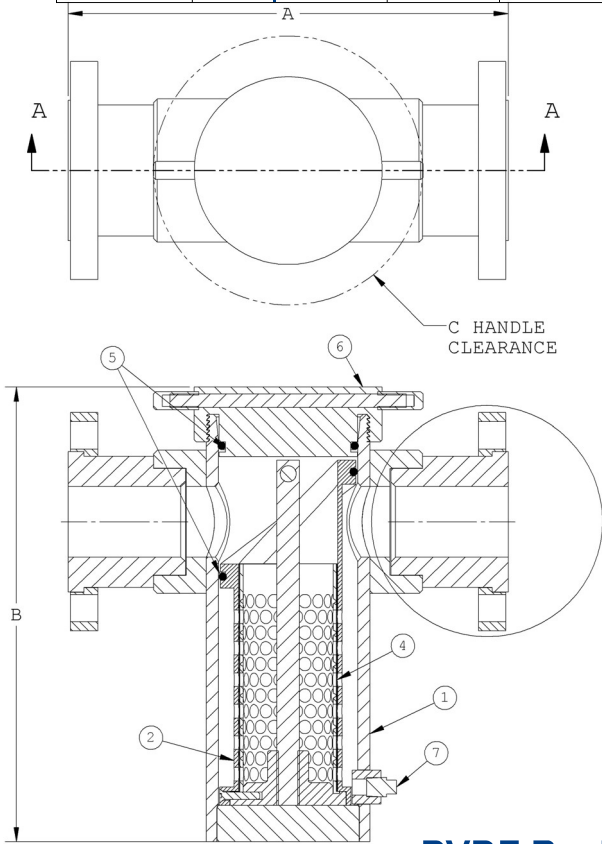
Item No.	PVDF Basket Strainers
1	PVDF Body
2	Removable PTFE Cartridge
3A	PVDF NPT Connector
3B	PVDF Socket Weld Connector
3C	PVDF Flange (Other materials available)
3D	PVDF Stub End
3E	PVDF Tri-Clamp Connector
4	TEFZEL E-TFE Screen
5	FEP Encapsulated Silicone Rubber O-Ring
6	PVDF Cap w/Handles
7	PTFE Drain Plug

Standard Mesh Specifications

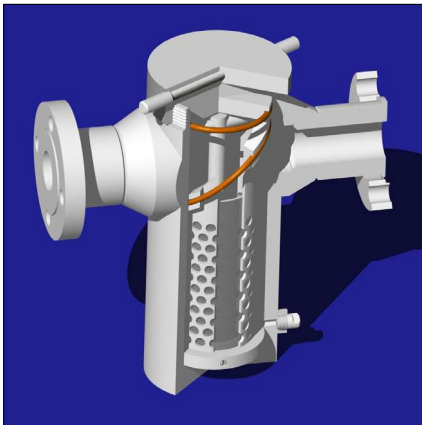
*To specify mesh size -replace NNN in part number with:

- 011 for 11 mesh(0.071 in. max particle size)
- 017 for 17 mesh (0.039 in. max particle size)
- 030 for 30 mesh(0.023 in. max particle size)
- 051 for 51 mesh (0.012 in. max particle size)
- 102 for 102 mesh (0.006 in. max particle size)
- 160 for 160 mesh (0.003 in. max particle size)

Other mesh sizes available.



PVDF Basket Strainer Part Numbers*



Nominal Size		ANSI Class 150 Flanged	NPT Threaded	Tri-Clamp	IPS Socket Weld (in. sizes)	Metric Socket Weld (mm sizes)
(in.)	(mm)					
1/2"	20	S-BK04FL <u>NNN</u>	S-BK04FT <u>NNN</u>	S-BK04TC <u>NNN</u>	S-BK04SI <u>NNN</u>	S-BK04MS <u>NNN</u>
3/4"	25	S-BK06FL <u>NNN</u>	S-BK06FT <u>NNN</u>	S-BK06TC <u>NNN</u>	S-BK06SI <u>NNN</u>	S-BK06MS <u>NNN</u>
1"	32	S-BK08FL <u>NNN</u>	S-BK08FT <u>NNN</u>	S-BK08TC <u>NNN</u>	S-BK08SI <u>NNN</u>	S-BK08MS <u>NNN</u>
1-1/4"	40	S-BK10FL <u>NNN</u>	S-BK10FT <u>NNN</u>	S-BK10TC <u>NNN</u>	S-BK10SI <u>NNN</u>	S-BK10MS <u>NNN</u>
1-1/2"	50	S-BK12FL <u>NNN</u>	S-BK12FT <u>NNN</u>	S-BK12TC <u>NNN</u>	S-BK12SI <u>NNN</u>	S-BK12MS <u>NNN</u>
2"	63	S-BK16FL <u>NNN</u>	S-BK16FT <u>NNN</u>	S-BK16TC <u>NNN</u>	S-BK16SI <u>NNN</u>	S-BK16MS <u>NNN</u>
3"	90	S-BK24FL <u>NNN</u>	S-BK24FT <u>NNN</u>	S-BK24TC <u>NNN</u>	S-BK24SI <u>NNN</u>	S-BK24MS <u>NNN</u>