

Shop Floor Filtration System Handles Up to 45 GPM Where You Need It When You Need It

Shop floor problem-solver cleans up machining coolant, oil, water, and many other industrial fluids



Ergonomic integral cover handle is easy to open and close without tools.

Rejuvenate your machine coolants and hydraulic oils anywhere in the shop with mobile filtration, at up to 45 gpm. The FloWash Industrial Filter Cart helps you save on replacement fluids as well as the associated disposal costs.

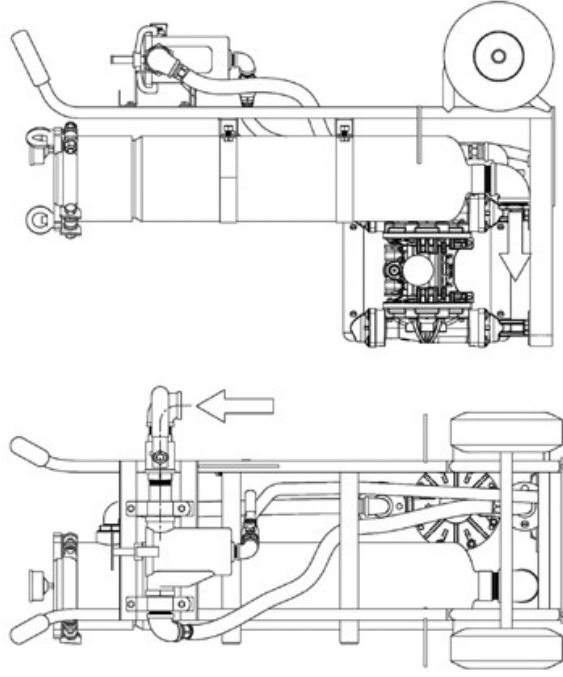
Open the inlet valve, turn on the air supply (30 psi) and filter the contaminated fluids. It's never been easier.



FloWash Industrial Filter Cart Components

- FLOWLINE II™ fabricated filter vessel features a unique one-piece body design with safe and reliable “no tools required” access for bag replacement. The FloWash Industrial Filter Cart is rated 125 psi and 150 °F.
- Filter vessel is available in carbon or stainless steel with elastomer seal options of Buna-N, EPDM, or Viton.
- Double diaphragm pump is powered by compressed air. No electric power needed.
- Eaton Model 30R Strainer with a 1/8” perforated basket pre-filters incoming contaminated fluids on the carbon steel model, and the Model 72 Strainer pre-filters fluids on the stainless steel version.
- The filter vessel includes 1-1/2” inlet and outlet hoses, extension wands, and pressure gauge.

Eaton's FloWash Industrial Filter Cart
A flexible system that operates in-line or as a stand-alone portable filtration system. Safe to operate and easy to maintain.



FloWash Industrial Filter Cart Specifications

Dimensions: Approximately 25"W x 31"D x 49"H

Weight: Approximately 220 lbs empty, 278 lbs full (water)

Power: 30 psi shop air (20 to 125 psi operating range)

Model

F3F000002-B	Industrial Filter Cart, CST with Buna-N Elastomers
F3F000002-E	Industrial Filter Cart, CST with EPDM Elastomers
F3F000002-V	Industrial Filter Cart, CST with Viton Elastomers
F3F000003-B	Industrial Filter Cart, 316 SS with Buna-N Elastomers
F3F000003-E	Industrial Filter Cart, 316 SS with EPDM Elastomers
F3F000003-V	Industrial Filter Cart, 316 SS with Viton Elastomers

Filter Bags

FloWash Industrial Filter Cart uses size 02 filter bags. Many options are available to fit your specific need.



LOFCLEAR™

Oil removal and gels



HAYFLOW™

Up to 5 times the life of standard bags



DURAGAF™

Up to 3 times the life of standard bags



SENTINEL®

High-quality, durable performance



UNIBAG™

Efficiency with an economical advantage