



Wafer Dual Plate Check Valve

AW31/4**DN50 - DN600 (EPDM)****PN 10/16**

Wafer Dual Plate Check Valve is a proven compact superior check valve. By choosing high material grades and a full epoxy coating, it has been designed for a long-lasting corrosion-free life.

Technical Details

Maximum Working Pressure PFA:

16 bar / PN16

Working temperature:

Maximum +90°C

Coating:

300 µm FBE coating, external and internal - RAL5015

Installation:

Installation in any position

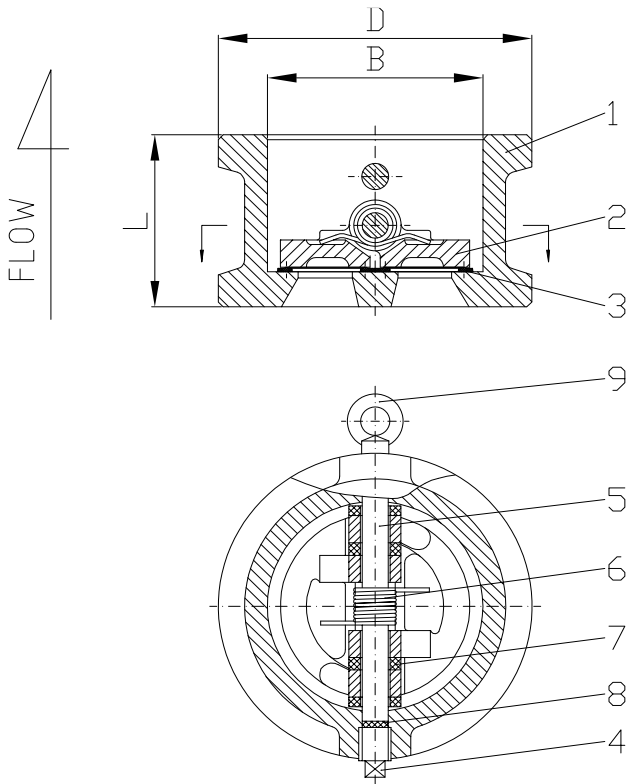
Application:

Installation for water, potable water, irrigation water and other chemically inert fluids

Design features

- 316 stainless steel disc as standard, with internal and external epoxy coating for corrosion protection
- Soft seated for perfect tightness
- Slamming virtually non-existent due to its closing spring
- Reduces water hammer surge.





No	Part Name	Material
1	Body	Ductile Iron EN-GJS-500-7
2	Disc	Stainless Steel X5CrNiMo17-12-2 / 1.4401 / 316
3	Seat	EPDM
4	Plug	Stainless Steel X5CrNi18-10 / 1.4301 / 304
5	Hinge Pin	Stainless Steel X5CrNiMo17-12-2 / 1.4401 / 316
6	Spring	Stainless Steel X5CrNi18-10 / 1.4301 / 304
7	Spacer	PTFE
8	Gasket	EPDM
9	Eye Bolt*	Stainless Steel X5CrNiMo17-12-2 / 1.4401 / 316

* For DN150 - DN600

Dimension (mm & kg)

Group	DN	50	65	80	100	125	150	200	250	300	350	400	450	500	600
AW31/4	PN16	AC0475	AC0476	AC0477	AC0478	AC0479	AC0480	AC0481	AC0482	AC0483	AC0484	AC0485	AC0486	AC0487	AC0488
L		54	54	57	64	70	76	95	108	143	184	191	203	213	222
B		66	78	90	115	141	170	210	273	324	356	406	457	508	600
D		106	126	141	161	191	217	272	327	382	442	494	554	616	733
Weight kg		1,8	2,4	3,2	4,8	7,3	10	14,2	23,6	37,5	62	74	100	155	215