



300 SERIES ALL STAINLESS LIQUID FILLED GAUGE

Heavy duty, all stainless steel gauge with welded case-to-stem connection
 Stainless steel case and bezel, 316 stainless steel internals

3



STANDARD DIAL CONFIGURATIONS FOR 300 SERIES - 2 1/2" DIALS

Dial Range	Figure Intervals	Graduation Intervals	Dial Range	Figure Intervals	Graduation Intervals	Dial Range	Figure Intervals	Graduation Intervals
30/0"hg Vac	5" hg	0.5" hg	0/60 psi	10 psi	1 psi	0/2000 psi	400 psi	50 psi
30/0/15 psi	10" hg/5 psi	1" hg/.5 psi	0/100 psi	20 psi	2 psi	0/3000 psi	500 psi	50 psi
30/0/30 psi	10" hg/5psi	1" hg/.5 psi	0/160 psi	20 psi	2 psi	0/4000 psi	800 psi	100 psi
30/0/60 psi	10" hg/10psi	2" hg/1 psi	0/200 psi	40 psi	5 psi	0/5000 psi	1000 psi	100 psi
30/0/100 psi	30" hg/20psi	5" hg/2 psi	0/300 psi	50 psi	5 psi	0/6000 psi	1000 psi	100 psi
30/0/150 psi	30" hg/20psi	5" hg/2 psi	0/400 psi	50 psi	5 psi	0/10,000 psi	2000 psi	200 psi
30/0/300 psi	30" hg/50psi	10" hg/10psi	0/600 psi	100 psi	10 psi	0/15,000 psi	2000 psi	200 psi
0/15 psi	2 psi	0.2 psi	0/1000 psi	200 psi	10 psi	0/20,000 psi	4000 psi	400 psi
0/30 psi	5 psi	0.5 psi	0/1500 psi	200 psi	20 psi			

NOTE: Because of continuing improvements, increments/specifications are subject to change without notice. Stock ranges vary by dial size and configuration. Consult PIC Gauges for availability.

301LFW ALL STAINLESS LOWER MOUNT

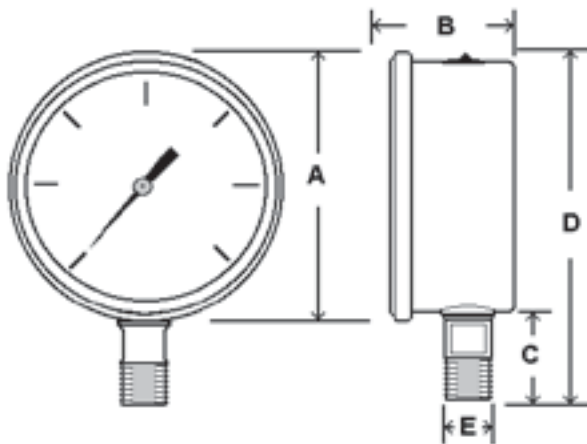


Heavy duty, all stainless steel gauge with welded case-to-stem connection
Stainless steel case and bezel, 316 stainless steel internals
Glycerine filled for added durability in applications where vibration or pulsation is present

SPECIFICATIONS

Dial	1 ½" (40 mm), 2" (50 mm), 2 ½" (63 mm), 4" (100 mm) See page 37, 6" (150 mm) - See 6001 page 53
Case	Stainless steel, glycerine filled (available dry) Welded case-to-stem connection
Wetted Parts	316 stainless steel
Bezel	Stainless steel, fixed
Lens	Polycarbonate
Pointer	Black aluminum
Connection	Lower mount 1 ½" dial = ⅛" NPT 2" dial = ⅛" or ¼" NPT 2 ½" dial = ¼" NPT
Scale	Standard: psi/BAR (x 100 = kPa)
Accuracy	3-2-3% of span 1 ½" & 2" ASME B40.1 Grade B 2-1-2% of span 2 ½" ASME B40.1 Grade A
Ambient Temp	Glycerine Filled = 30° F to 160° F Dry = -30° F to 180° F

Design meets or exceeds ASME B40.100 pressure gauge standard.



Dial	Unit	A	B	C	D	E
1 ½"	In.	1.84"	1.03"	0.73"	2.32"	⅛" NPT
	mm	47	26	19	59	
2"	In.	2.25"	1.15"	0.91"	2.93"	⅛" or ¼" NPT
	mm	57	30	23	75	
2 ½"	In.	2.70"	1.39"	1"	3.61"	¼" NPT
	mm	69	35	25	92	



3

AVAILABLE OPTIONS*

- Certificate of Accuracy, NIST traceable
- Custom Dial
- Liquid Fill Options, see page 176
- Anti-Vibration Movement, see page 109
- Dry, Fillable Case
- Glass Lens
- Cleaned for Oxygen Service (dry only)
- Special Connection Size
- Protective Rubber Cover, see page 121
- Single Scale
- Max/Min Pointer, see page 122

*Lead times/minimums may apply

APPROXIMATE SHIPPING WEIGHTS/ BOX QUANTITIES

Dial Size	Est. Unit Weight	Box Qty
1 ½"	0.20 lbs (0.10 kg)	100
2"	0.40 lbs (0.18 kg)	100
2 ½"	0.55 lbs (0.24 kg)	90



302LFW ALL STAINLESS CENTER BACK MOUNT

Heavy duty, all stainless steel gauge with welded case-to-stem connection

Stainless steel case and bezel, 316 stainless steel internals

Glycerine filled for added durability in applications where vibration or pulsation is present

SPECIFICATIONS

Dial	1 ½" (40 mm), 2" (50 mm), 2 ½" (63 mm), 4" (100 mm) - See 312D page 40 6" (150 mm) - See 6002 page 54
Case	Stainless steel, glycerine filled (available dry) Welded case-to-stem connection
Wetted Parts	316 stainless steel
3 Bezel	Stainless steel, fixed
Lens	Polycarbonate
Pointer	Black aluminum
Connection	Center back mount 1 ½" dial = ⅛" NPT 2" dial = ⅛" or ¼" NPT 2 ½" dial = ¼" NPT
Scale	Standard: psi/BAR (x 100 = kPa)
Accuracy	3-2-3% of span 1 ½" & 2" ASME B40.1 Grade B 2-1-2% of span 2 ½" ASME B40.1 Grade A 1% of span 4" ASME B40.1 Grade 1A
Ambient Temp	Glycerine Filled = 30° F to 160° F Dry = -30° F to 180° F

Design meets or exceeds ASME B40.100 pressure gauge standard.



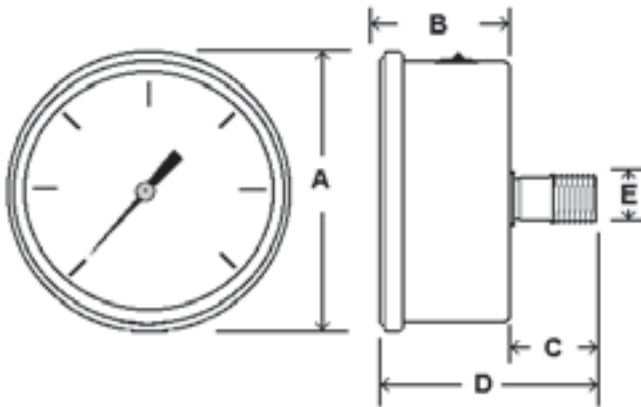
AVAILABLE OPTIONS*

- Certificate of Accuracy, NIST traceable
- Custom Dial
- Liquid Fill Options, see page 176
- Anti-Vibration Movement, see page 109
- Dry, Fillable Case
- Glass Lens
- Cleaned for Oxygen Service (dry only)
- Special Connection Size
- Protective Rubber Cover, see page 121
- Single Scale
- Max/Min Pointer, see page 122

*Lead times/minimums may apply

APPROXIMATE SHIPPING WEIGHTS/ BOX QUANTITIES

Dial Size	Est. Unit Weight	Box Qty
1 ½"	0.20 lbs (0.10 kg)	100
2"	0.40 lbs (0.18 kg)	100
2 ½"	0.60 lbs (0.28 kg)	50



Dial	Unit	A	B	C	D	E
1 ½"	In.	1.83"	1.01"	0.89"	1.90"	⅛"
	mm	46	26	23	48	NPT
2"	In.	2.25"	1.17"	1.00"	2.17"	⅛" or
	mm	57	30	25	55	¼"
2 ½"	In.	2.71"	1.40"	1.31"	2.71"	¼"
	mm	69	36	33	69	NPT

303LFW ALL STAINLESS U-CLAMP PANEL MOUNT

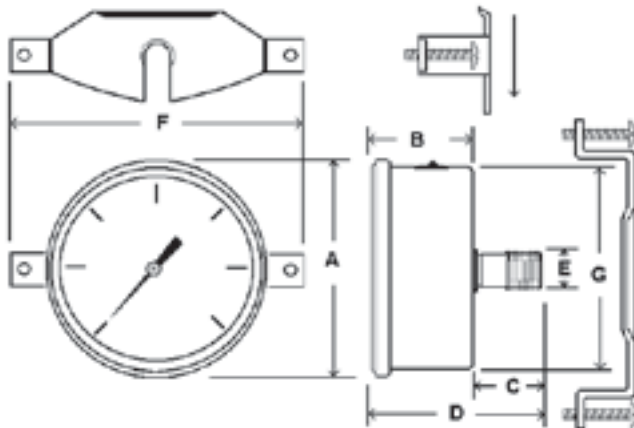


Heavy duty, all stainless steel gauge with welded case-to-stem connection
Stainless steel case and bezel, 316 stainless steel internals
Glycerine filled for added durability in applications where vibration or pulsation is present

SPECIFICATIONS

Dial	1 ½" (40 mm), 2" (50 mm), 2 ½" (63 mm), 4" (100 mm) - See 313D page 41
Case	Stainless steel, glycerine filled (available dry) Welded case-to-stem connection
Wetted Parts	316 stainless steel
Bezel	Stainless steel, fixed
Lens	Polycarbonate
Pointer	Black aluminum
Connection	Center back mount with u-clamp 1 ½" dial = ⅛" NPT 2" dial = ⅛" or ¼" NPT 2 ½" dial = ¼" NPT
Scale	Standard: psi/BAR (x 100 = kPa)
Accuracy	3-2-3% of span 1 ½" & 2" ASME B40.1 Grade B 2-1-2% of span 2 ½" ASME B40.1 Grade A
Ambient Temp	Glycerine Filled = 30° F to 160° F Dry = -30° F to 180° F

Design meets or exceeds ASME B40.100 pressure gauge standard.



Dial	Unit	A	B	C	D	E	F	G
1 ½"	In.	1.83"	1.01"	0.89"	1.90"	⅛"	2.75"	1.61"
	mm	46	26	23	48	NPT		
2"	In.	2.25"	1.17"	1.00"	2.17"	⅛" or	3.13"	2.03"
	mm	57	30	25	55	¼"		
2 ½"	In.	2.71"	1.40"	1.31"	2.71"	¼"	3.84"	2.49"
	mm	69	36	33	69	NPT		



3

AVAILABLE OPTIONS*

- Certificate of Accuracy, NIST traceable
- Custom Dial
- Liquid Fill Options, see page 176
- Anti-Vibration Movement, see page 109
- Dry, Fillable Case
- Glass Lens
- Cleaned for Oxygen Service (dry only)
- Special Connection Size
- Single Scale
- Max/Min Pointer, see page 122

*Lead times/minimums may apply

APPROXIMATE SHIPPING WEIGHTS/ BOX QUANTITIES

Dial Size	Est. Unit Weight	Box Qty
1 ½"	0.30 lbs (0.12 kg)	100
2"	0.45 lbs (0.20 kg)	100
2 ½"	0.70 lbs (0.32 kg)	50



304LFW ALL STAINLESS FRONT FLANGE PANEL MOUNT

Heavy duty, all stainless steel gauge with welded case-to-stem connection

Stainless steel case and bezel, 316 stainless steel internals

Glycerine filled for added durability in applications where vibration or pulsation is present

SPECIFICATIONS

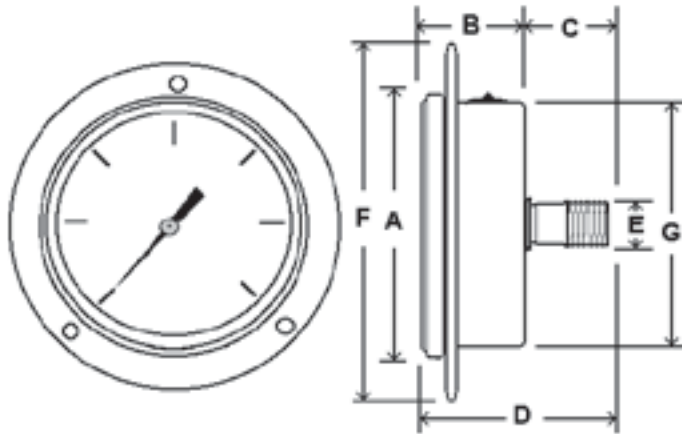
Dial	1 ½" (40 mm), 2" (50 mm), 2 ½" (63 mm), 4" (100 mm) - See 314D page 42 6" (150 mm) - See 6004 page 55
Case	Stainless steel, glycerine filled (available dry) Welded case-to-stem connection
Wetted Parts	316 stainless steel
Bezel	Stainless steel, fixed
Lens	Polycarbonate
Pointer	Black aluminum
Connection	Center back mount with front flange 1 ½" dial = ⅛" NPT 2" dial = ⅛" or ¼" NPT 2 ½" dial = ¼" NPT
Scale	Standard: psi/BAR (x 100 = kPa)
Accuracy	3-2-3% of span 1 ½" & 2" ASME B40.1 Grade B 2-1-2% of span 2 ½" ASME B40.1 Grade A
Ambient Temp	Glycerine Filled = 30° F to 160° F Dry = -30° F to 180° F



AVAILABLE OPTIONS*

- Certificate of Accuracy, NIST traceable
- Custom Dial
- Liquid Fill Options, see page 176
- Anti-Vibration Movement, see p. 107
- Dry, Fillable Case
- Glass Lens
- Cleaned for Oxygen Service (dry only)
- Special Connection Size
- Single Scale
- Max/Min Pointer, see p. 118

Design meets or exceeds ASME B40.100 pressure gauge standard.



*Lead times/minimums may apply

APPROXIMATE SHIPPING WEIGHTS/ BOX QUANTITIES

Dial Size	Est. Unit Weight	Box Qty
1 ½"	0.25 lbs (0.10 kg)	upon request
2"	0.40 lbs (0.18 kg)	upon request
2 ½"	0.65 lbs (0.30 kg)	upon request

Dial	Unit	A	B	C	D	E	F	G
1 ½"	In.	1.83"	1.01"	0.89"	1.90"	⅛"	2.46"	1.61"
	mm	46	26	23	48	NPT	63	41
2"	In.	2.25"	1.17"	1.00"	2.17"	⅛" or	2.81"	2.03"
	mm	57	30	25	55	¼"	71	52
2 ½"	In.	2.71"	1.40"	1.31"	2.71"	¼"	3.46"	2.49"
	mm	69	36	33	69	NPT	88	63

For complete flange dimensions, see page 123.

301L 4" ALL STAINLESS LOWER MOUNT



Heavy duty, all stainless steel gauge
Stainless steel case and bezel, 316 stainless steel internals
Glycerine filled for added durability in applications where vibration or pulsation is present

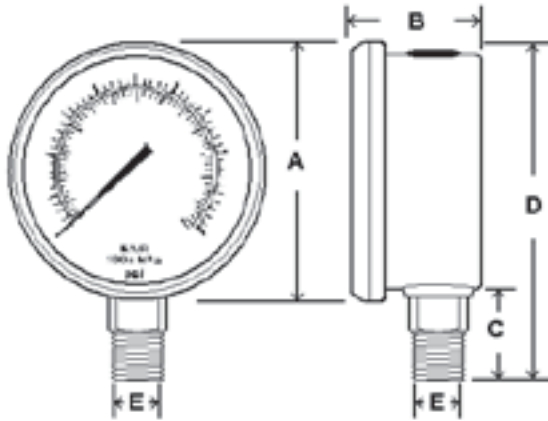
SPECIFICATIONS

Dial	4" (100 mm)
Case	Stainless steel, glycerine filled (available dry)
Wetted Parts	316 stainless steel
Bezel	Stainless steel, fixed
Lens	Polycarbonate
Pointer	Black aluminum
Connection	Lower mount
	4" dial = 1/4" or 1/2" NPT
Scale	Standard: psi/BAR (x 100 = kPa)
Accuracy	2-1-2% of span ASME B40.1 Grade A
Ambient Temp	Glycerine Filled = 30° F to 160° F Dry = -30° F to 180° F



3

Design meets or exceeds ASME B40.100 pressure gauge standard.



Dial	Unit	A	B	C	D	E
4"	In.	4.30"	1.74"	1.19"	5.26"	1/4" or 1/2"
	mm	109	44	30	134	NPT

NOTE: Because of continuing improvements, increments/specifications are subject to change without notice. Stock ranges vary by dial size and configuration. Consult PIC Gauges for availability.

AVAILABLE OPTIONS*

- Certificate of Accuracy, NIST traceable
- Custom Dial
- Liquid Fill Options, see page 176
- Anti-Vibration Movement, see page 109
- Dry, Fillable Case
- Glass Lens
- Cleaned for Oxygen Service (dry only)
- Special Connection Size
- Protective Rubber Cover, see page 121
- Single Scale
- Max/Min Pointer, see page 122

*Lead times/minimums may apply

APPROXIMATE SHIPPING WEIGHTS/ BOX QUANTITIES

Dial Size	Est. Unit Weight	Box Qty
4"	1.55 lbs (0.70 kg)	30

STANDARD DIAL CONFIGURATIONS FOR 300 SERIES - 4" DIALS

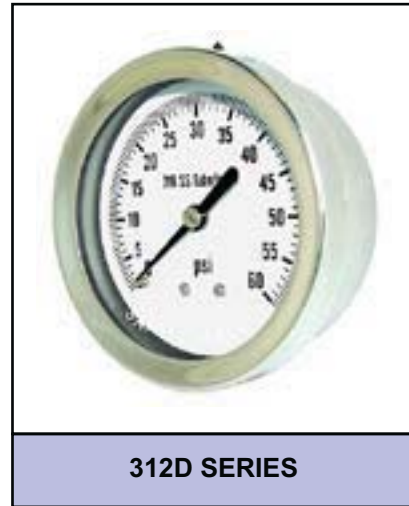
Dial Range	Figure Intervals	Graduation Intervals	Dial Range	Figure Intervals	Graduation Intervals	Dial Range	Figure Intervals	Graduation Intervals
30/0"hg Vac	5" hg	0.5" hg	0/30 psi	5 psi	0.5 psi	0/1000 psi	200 psi	20 psi
30/0/15 psi	10" hg/5 psi	1" hg/0.5 psi	0/60 psi	10 psi	0.5 psi	0/1500 psi	200 psi	20 psi
30/0/30 psi	10" hg/5psi	1" hg/0.5 psi	0/100 psi	20 psi	2 psi	0/2000 psi	400 psi	40 psi
30/0/60 psi	30" hg/10psi	2" hg/1 psi	0/160 psi	20 psi	2 psi	0/3000 psi	500 psi	50 psi
30/0/100 psi	30" hg/20psi	5" hg/2 psi	0/200 psi	40 psi	5 psi	0/5000 psi	1000 psi	100 psi
30/0/150 psi	30" hg/30psi	5" hg/2 psi	0/300 psi	50 psi	5 psi	0/10,000 psi	2000 psi	200 psi
30/0/300 psi	30" hg/50psi	10" hg/5psi	0/400 psi	50 psi	5 psi	0/15,000 psi	2000 psi	200 psi
0/15 psi	2 psi	0.1 psi	0/600 psi	100 psi	10 psi			



310 SERIES ALL STAINLESS

Heavy duty, all stainless steel gauge with removable bezel, adjustable pointer
 1% accuracy, welded case-to-stem connection, dry yet fillable

3



STANDARD DIAL CONFIGURATIONS FOR 310 SERIES

Dial Range	Figure Intervals	Graduation Intervals	Dial Range	Figure Intervals	Graduation Intervals	Dial Range	Figure Intervals	Graduation Intervals
30/0"hg Vac	5" hg	0.5" hg	0/60 psi	5 psi	0.5 psi	0/1000 psi	100 psi	10 psi
30/0/15 psi	10" hg/5 psi	1" hg/0.5 psi	0/100 psi	10 psi	1 psi	0/1500 psi	200 psi	10 psi
30/0/30 psi	10" hg/5 psi	1" hg/0.5 psi	0/160 psi	20 psi	2 psi	0/2000 psi	200 psi	20 psi
30/0/60 psi	10" hg/10psi	2" hg/1 psi	0/200 psi	20 psi	2 psi	0/3000 psi	500 psi	20 psi
30/0/100 psi	30" hg/10psi	2" hg/1 psi	0/300 psi	30 psi	2 psi	0/5000 psi	500 psi	50 psi
30/0/150 psi	30" hg/20psi	10" hg/2 psi	0/400 psi	50 psi	5 psi	0/6000 psi	500 psi	50 psi
30/0/300 psi	30" hg/50psi	10" hg/2 psi	0/600 psi	50 psi	5 psi	0/10,000 psi	1000 psi	100 psi
0/15 psi	2 psi	0.1 psi	0/800 psi	100 psi	10 psi	0/15,000 psi	3000 psi	100 psi
0/30 psi	3 psi	0.2 psi						

NOTE: Because of continuing improvements, increments/specifications are subject to change without notice. Stock ranges vary by dial size and configuration. Consult PIC Gauges for availability.

311D ALL STAINLESS STEEL LOWER MOUNT

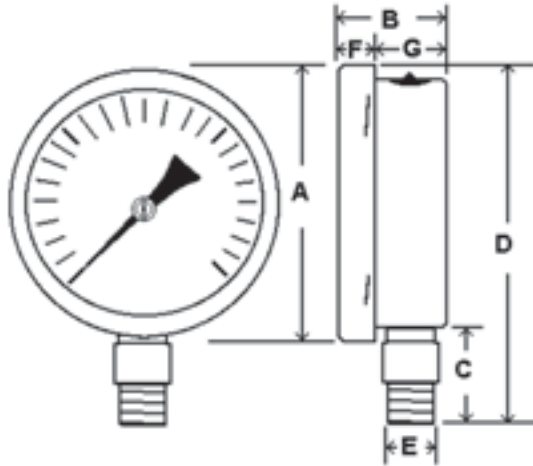


Heavy duty, all stainless steel gauge with removable bezel, adjustable pointer
1% accuracy, welded case-to-stem connection, dry yet fillable

SPECIFICATIONS

Dial	2 ½" (63 mm), 4" (100 mm) - See 4001 page 50 6" (150 mm) - See 6001 page 53 4 ½", 8" and 10" available special order
Case	Stainless steel, dry yet fillable Welded case-to-stem connection
Wetted Parts	316 stainless steel
Bezel	Removable, stainless steel
Lens	Laminated safety glass
Pointer	Adjustable, black aluminum
Connection	Lower mount 2 ½" dial = ¼" NPT
Scale	Standard: single scale psi
Accuracy	1% of span ASME B40.1 Grade 1A
Ambient Temp	Dry = -30° F to 180° F Glycerine Filled = 30° F to 160° F

Design meets or exceeds ASME B40.100 pressure gauge standard.



Dial	Unit	A	B	C	D	E	F	G
2 ½"	In.	2.75"	1.30"	0.91"	3.50"	¼"	0.51"	0.79"
	mm	70	33	23	89	NPT	13	20



3

AVAILABLE OPTIONS*

- Certificate of Accuracy, NIST traceable
- Custom Dial
- Liquid Fill Options, see page 176
- Anti-Vibration Movement, see page 109
- Cleaned for Oxygen Service (dry only)
- Special Connection Size
- Protective Rubber Cover, see page 121
- Plastic Lens
- Dual Scale
- Max/Min Pointer, see page 122

*Lead times/minimums may apply

APPROXIMATE SHIPPING WEIGHTS/ BOX QUANTITIES

Dial Size	Est. Unit Weight	Box Qty
2 ½"	0.35 lbs (0.16 kg)	50



312D ALL STAINLESS STEEL LOWER BACK MOUNT

Heavy duty, all stainless steel gauge with removable bezel, adjustable pointer
 1% accuracy, welded case-to-stem connection, dry yet fillable

SPECIFICATIONS

Dial	2 ½" (63 mm), 4" (100 mm) 6" (150 mm) - See 6002 page 54
Case	Stainless steel, dry yet fillable Welded case-to-stem connection
Wetted Parts	316 stainless steel
Bezel	Removable, stainless steel
Lens	Laminated safety glass
Pointer	Adjustable, black aluminum
Connection	Lower back mount 2 ½" dial = ¼" NPT 4" dial = ¼" or ½" NPT
Scale	Standard: single scale psi
Accuracy	1% of span ASME B40.1 Grade 1A
Ambient Temp	Dry = -30° F to 180° F Glycerine Filled = 30° F to 160° F

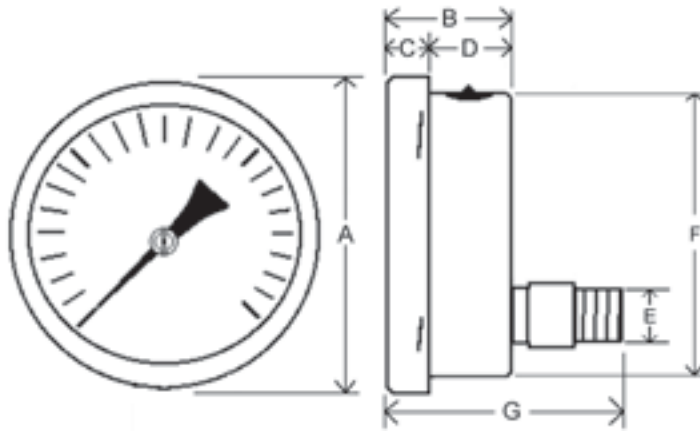


AVAILABLE OPTIONS*

- Certificate of Accuracy, NIST traceable
- Custom Dial
- Liquid Fill Options, see page 176
- Anti-Vibration Movement, see page 109
- Cleaned for Oxygen Service (dry only)
- Special Connection Size
- Protective Rubber Cover, see page 121
- Plastic Lens
- Dual Scale
- Max/Min Pointer, see page 122

*Lead times/minimums may apply

Design meets or exceeds ASME B40.100 pressure gauge standard.



Dial	Unit	A	B	C	D	E	F	G
2 ½"	In.	2.71"	1.26"	0.41"	0.85"	¼" NPT	2.47"	2.24"
	mm	69	32	10	22		63	57
4"	In.	4.00"	1.93"	0.71"	1.22"	¼" or ½" NPT	3.87"	3.39"
	mm	100	49	18	31		98	86

APPROXIMATE SHIPPING WEIGHTS/ BOX QUANTITIES

Dial Size	Est. Unit Weight	Box Qty
2 ½"	0.35 lbs (0.16 kg)	50
4"	1.10 lbs (0.50 kg)	8

313D ALL STAINLESS CLAMP-RING PANEL MOUNT



Heavy duty, all stainless steel gauge with removable bezel, adjustable pointer
1% accuracy, welded case-to-stem connection, dry yet fillable

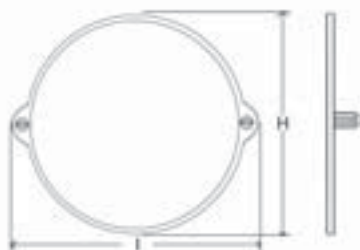
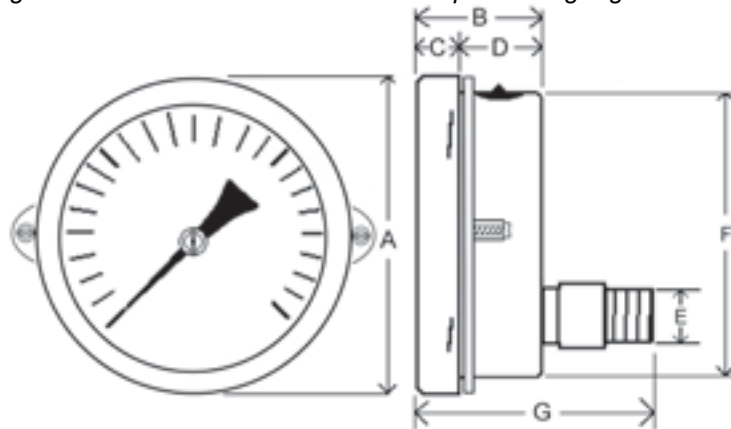
SPECIFICATIONS

Dial	2 1/2" (63 mm), 4" (100 mm)
Case	Stainless steel, dry yet fillable Welded case-to-stem connection
Wetted Parts	316 stainless steel
Bezel	Removable, stainless steel
Lens	Laminated safety glass
Pointer	Adjustable, black aluminum
Connection	Lower back mount with clamp-ring 2 1/2" dial = 1/4" NPT 4" dial = 1/4" or 1/2" NPT
Scale	Standard: single scale psi
Accuracy	1% of span ASME B40.1 Grade 1A
Ambient Temp	Dry = -30° F to 180° F Glycerine Filled = 30° F to 160° F

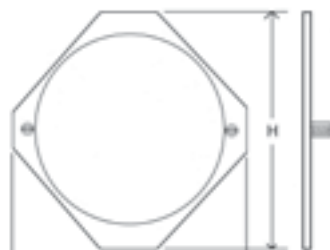


3

Design meets or exceeds ASME B40.100 pressure gauge standard.



2.5" Clamp-Ring



4.0" Clamp-Ring

AVAILABLE OPTIONS*

- Certificate of Accuracy, NIST traceable
- Custom Dial
- Liquid Fill Options, see page 176
- Anti-Vibration Movement, see page 109
- Cleaned for Oxygen Service (dry only)
- Special Connection Size
- Plastic Lens
- Dual Scale
- Max/Min Pointer, see page 122

*Lead times/minimums may apply

APPROXIMATE SHIPPING WEIGHTS/ BOX QUANTITIES

Dial Size	Est. Unit Weight	Box Qty
2 1/2"	0.60 lbs (0.26 kg)	50
4"	1.20 lbs (0.54 kg)	8

Dial	Unit	A	B	C	D	E	F	G	H	I
2 1/2"	In.	2.71"	1.26"	0.41"	0.85"	1/4" NPT	2.47"	2.24"	2.65"	3.23"
	mm	69	32	10	22		63	57	67	82
4"	In.	4.00"	1.93"	0.71"	1.22"	1/4" or 1/2"	3.87"	3.39"	5.13"	5.13"
	mm	100	49	18	31		98	86	130	130



314D ALL STAINLESS STEEL FRONT FLANGE PANEL MOUNT

Heavy duty, all stainless steel gauge with removable bezel, adjustable pointer
1% accuracy, welded case-to-stem connection, dry yet fillable

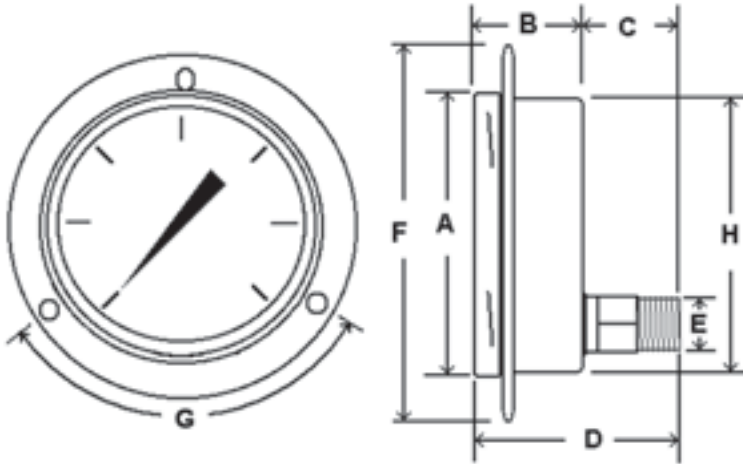
SPECIFICATIONS

Dial	2 ½" (63 mm), 4" (100 mm), 6" (150 mm) - See 6004 page 55
Case	Stainless steel, dry yet fillable Welded case-to-stem connection
Wetted Parts	316 stainless steel
Bezel	Removable, stainless steel
Lens	Laminated safety glass
Pointer	Adjustable, black aluminum
Connection	Lower back mount with front flange 2 ½" dial = ¼" NPT 4" dial = ¼" or ½" NPT
Scale	Standard: single scale psi
Accuracy	1% of span ASME B40.1 Grade 1A
Ambient Temp	Dry = -30° F to 180° F Glycerine Filled = 30° F to 160° F

3



Design meets or exceeds ASME B40.100 pressure gauge standard.



AVAILABLE OPTIONS*

- Certificate of Accuracy, NIST traceable
- Custom Dial
- Liquid Fill Options, see page 176
- Anti-Vibration Movement, see page 109
- Cleaned for Oxygen Service (dry only)
- Special Connection Size
- Plastic Lens
- Dual Scale
- Max/Min Pointer, see page 122

*Lead times/minimums may apply

APPROXIMATE SHIPPING WEIGHTS/ BOX QUANTITIES

Dial Size	Est. Unit Weight	Box Qty
2 ½"	0.60 lbs (0.26 kg)	50
4"	1.20 lbs (0.54 kg)	8

Dial	Unit	A	B	C	D	E	F	H
2 ½"	In.	2.71"	1.23"	1.00"	2.23"	¼"	3.45"	2.45"
	mm	69	31	25	57	NPT	88	62
4"	In.	4.03"	1.97"	1.48"	3.45"	¼" or	5.22"	3.86"
	mm	102	50	38	88	½"	133	98

G Dimensions (Screw Holes)				
Dial	Arc	Unit	Distance from ctr	Size (oblong)
2 ½"	120°	In.	1.58"	0.18" x 0.25"
		mm	40	4.5 x 6.5
4"	120°	In.	2.25"	0.18" (round)
		mm	57.3	4.5 (round)

For complete flange dimensions, see page 123.

S301L HEAVY DUTY 4" ALL STAINLESS LOWER MOUNT



Heavy duty, all stainless steel gauge with welded case-to-stem connection
 Stainless steel case and bezel, 316 stainless steel internals
 Glycerine filled for added durability in applications where vibration or pulsation is present

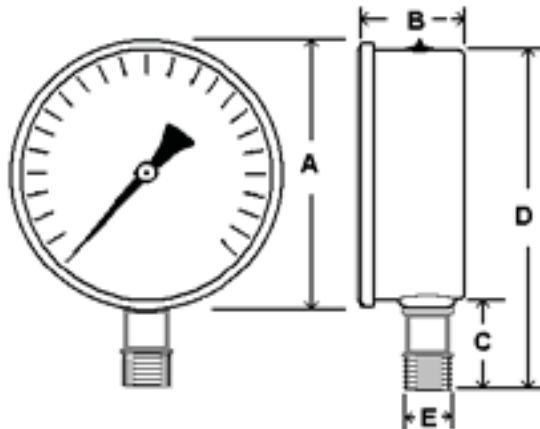
SPECIFICATIONS

Dial	4" (100 mm)
Case	Stainless steel, glycerine filled
Wetted Parts	316 stainless steel
Bezel	Stainless steel, fixed
Lens	Polycarbonate
Pointer	Black aluminum
Connection	Lower mount
	4" dial = 1/4" or 1/2" NPT
Scale	Standard: single scale psi
Accuracy	1% of span ASME B40.1 Grade 1A
Ambient Temp	Glycerine Filled = 30° F to 160° F
	Dry = -30° F to 180° F

Design meets or exceeds ASME B40.100 pressure gauge standard.



3



Dial	Unit	A	B	C	D	E
4"	In.	4.07"	1.94"	1.46"	5.32"	1/4" or
	mm	103	49	37	135	1/2" NPT

STANDARD DIAL CONFIGURATIONS

Dial Range	Figure Intervals	Graduation Intervals	Dial Range	Figure Intervals	Graduation Intervals
30/0"hg Vac	3" hg	0.2" hg	0/600 psi	50 psi	5 psi
0/15 psi	1 psi	0.1 psi	0/1000 psi	100 psi	10 psi
0/30 psi	3 psi	0.2 psi	0/1500 psi	200 psi	10 psi
0/60 psi	5 psi	0.5 psi	0/2000 psi	200 psi	20 psi
0/100 psi	10 psi	1 psi	0/3000 psi	500 psi	20 psi
0/160 psi	20 psi	2 psi	0/5000 psi	500 psi	50 psi
0/200 psi	20 psi	2 psi	0/6000 psi	500 psi	50 psi
0/300 psi	30 psi	2 psi	0/10,000 psi	1000 psi	100 psi
0/400 psi	50 psi	5 psi	0/15,000 psi	3,000 psi	100 psi

AVAILABLE OPTIONS*

- Certificate of Accuracy, NIST traceable
- Custom Dial
- Liquid Fill Options, see page 177
- Anti-Vibration Movement, see page 109
- Cleaned for Oxygen Service (dry only)
- Special Connection Size
- Protective Rubber Cover, see page 121
- Max/Min Pointer, see page 122

*Lead times/minimums may apply

APPROXIMATE SHIPPING WEIGHTS/ BOX QUANTITIES

Dial Size	Est. Unit Weight	Box Qty
4"	1.55 lbs (0.70 kg)	20

NOTE: Because of continuing improvements, increments/specifications are subject to change without notice. Stock ranges vary by dial size and configuration. Consult PIC Gauges for availability.



SEC-300LFW SERIES ALL STAINLESS STEEL

All stainless steel gauge with welded case-to-stem connection

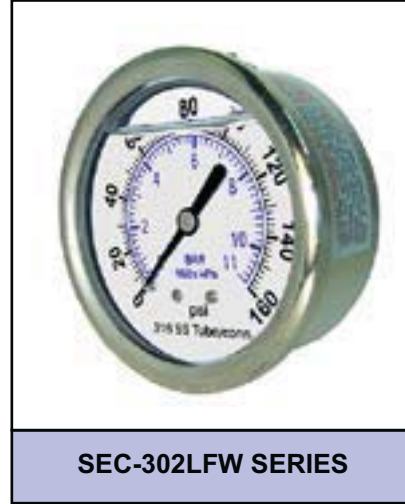
Stainless steel case and bezel, 316 stainless steel internals

Glycerine filled for added durability in applications where vibration or pulsation is present

3



SEC-301LFW SERIES



SEC-302LFW SERIES



SEC-303LFW SERIES



SEC-304LFW SERIES

STANDARD DIAL CONFIGURATIONS FOR SEC-300LFW SERIES

Dial Range	Figure Intervals	Graduation Intervals	Dial Range	Figure Intervals	Graduation Intervals	Dial Range	Figure Intervals	Graduation Intervals
30/0"hg Vac	5" hg	0.5" hg	0/100 psi	20 psi	2 psi	0/1000 psi	200 psi	10 psi
30/0/30 psi	10" hg/10psi	1" hg/1 psi	0/160 psi	20 psi	2 psi	0/2000 psi	400 psi	50 psi
30/0/150 psi	10" hg/30psi	1" hg/2 psi	0/200 psi	40 psi	5 psi	0/3000 psi	500 psi	50 psi
0/15 psi	3 psi	0.2 psi	0/300 psi	50 psi	5 psi	0/5000 psi	1000 psi	100 psi
0/30 psi	5 psi	0.5 psi	0/400 psi	100 psi	10 psi	0/10,000 psi	2000 psi	200 psi
0/60 psi	10 psi	1 psi	0/600 psi	100 psi	10 psi			

NOTE: Because of continuing improvements, increments/specifications are subject to change without notice. Stock ranges vary by dial size and configuration. Consult PIC Gauges for availability.

SEC-301LFW ALL STAINLESS LOWER MOUNT



All stainless steel gauge with welded case-to-stem connection
 Stainless steel case and bezel, 316 stainless steel internals
 Glycerine filled for added durability in applications where vibration or pulsation is present

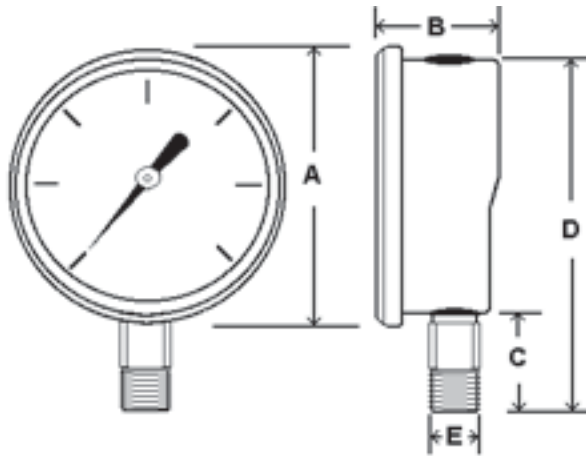
SPECIFICATIONS

Dial	2 1/2" (63 mm)
Case	Stainless steel, glycerine filled Welded case-to-stem connection
Wetted Parts	316 stainless steel
Bezel	Stainless steel, fixed
Lens	Polycarbonate
Pointer	Black aluminum
Connection	Lower mount 2 1/2" dial = 1/4" NPT
Scale	Standard: psi/BAR (x 100 = kPa)
Accuracy	3-2-3% of span ASME B40.1 Grade B
Ambient Temp	Glycerine Filled = 30° F to 160° F Dry = -30° F to 180° F

Design meets or exceeds ASME B40.100 pressure gauge standard.



3



Dial	Unit	A	B	C	D	E
2 1/2"	In.	2.80"	1.37"	0.93"	3.40"	1/4" NPT
	mm	71	35	24	86	

AVAILABLE OPTIONS*

- Certificate of Accuracy, NIST traceable
- Custom Dial
- Liquid Fill Options, see page 176
- Anti-Vibration Movement, see page 109
- Dry, Fillable Case
- Glass Lens
- Special Connection Size
- Protective Rubber Cover, see page 121
- Max/Min Pointer, see page 122

*Lead times/minimums may apply

APPROXIMATE SHIPPING WEIGHTS/ BOX QUANTITIES

Dial Size	Est. Unit Weight	Box Qty
2 1/2"	0.50 lbs (0.22 kg)	50



SEC-302LFW ALL STAINLESS CENTER BACK MOUNT

All stainless steel gauge with welded case-to-stem connection

Stainless steel case and bezel, 316 stainless steel internals

Glycerine filled for added durability in applications where vibration or pulsation is present

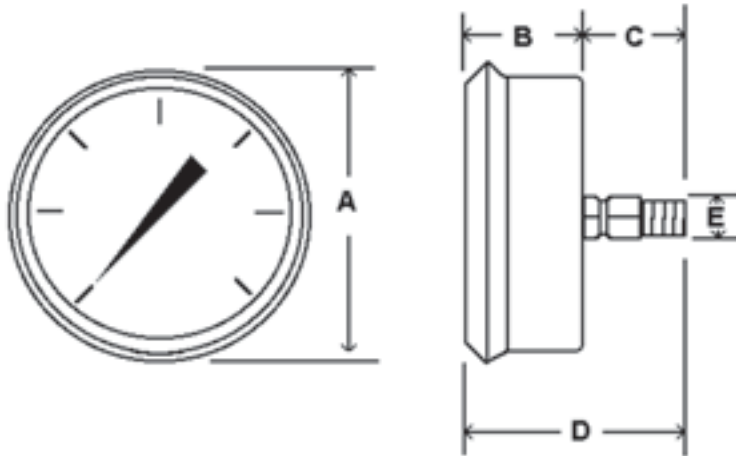
SPECIFICATIONS

Dial	2 ½" (63 mm)
Case	Stainless steel, glycerine filled Welded case-to-stem connection
Wetted Parts	316 stainless steel
Bezel	Stainless steel, fixed
Lens	Polycarbonate
Pointer	Black aluminum
Connection	Center back mount 2 ½" dial = ¼" NPT
Scale	Standard: psi/BAR (x 100 = kPa)
Accuracy	3-2-3% of span ASME B40.1 Grade B
Ambient Temp	Glycerine Filled = 30° F to 160° F Dry = -30° F to 180° F

Design meets or exceeds ASME B40.100 pressure gauge standard.



3



Dial	Unit	A	B	C	D	E
2 ½"	In.	2.67"	1.17"	1.08"	2.19"	¼"
	mm	68	30	28	56	NPT

AVAILABLE OPTIONS*

- Certificate of Accuracy, NIST traceable
- Custom Dial
- Liquid Fill Options, see page 176
- Anti-Vibration Movement, see page 109
- Dry, Fillable Case
- Glass Lens
- Special Connection Size
- Protective Rubber Cover, see page 121
- Max/Min Pointer, see page 122

*Lead times/minimums may apply

APPROXIMATE SHIPPING WEIGHTS/ BOX QUANTITIES

Dial Size	Est. Unit Weight	Box Qty
2 ½"	0.45 lbs (0.22 kg)	50

SEC-303LFW ALL STAINLESS U-CLAMP PANEL MOUNT



All stainless steel gauge with welded case-to-stem connection
 Stainless steel case and bezel, 316 stainless steel internals
 Glycerine filled for added durability in applications where vibration or pulsation is present

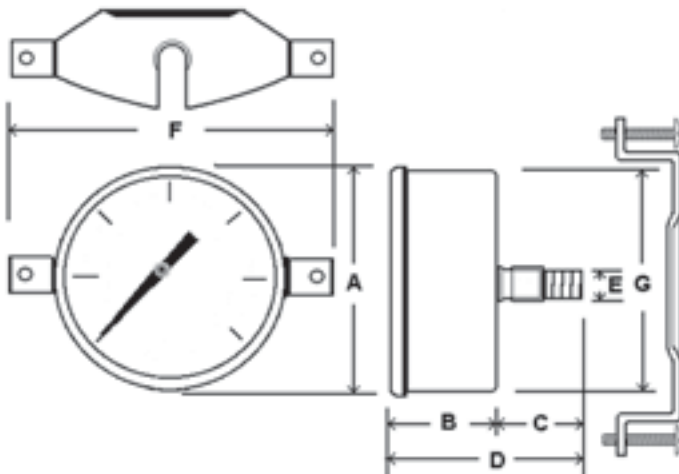
SPECIFICATIONS

Dial	2 ½" (63 mm)
Case	Stainless steel, glycerine filled Welded case-to-stem connection
Wetted Parts	316 stainless steel
Bezel	Stainless steel, fixed
Lens	Polycarbonate
Pointer	Black aluminum
Connection	Center back mount with u-clamp 2 ½" dial = ¼" NPT
Scale	Standard: psi/BAR (x 100 = kPa)
Accuracy	3-2-3% of span ASME B40.1 Grade B
Ambient Temp	Glycerine Filled = 30° F to 160° F Dry = -30° F to 180° F



3

Design meets or exceeds ASME B40.100 pressure gauge standard.



AVAILABLE OPTIONS*

- Certificate of Accuracy, NIST traceable
- Custom Dial
- Liquid Fill Options, see page 176
- Anti-Vibration Movement, see page 109
- Dry, Fillable Case
- Glass Lens
- Special Connection Size
- Max/Min Pointer, see page 122

*Lead times/minimums may apply

APPROXIMATE SHIPPING WEIGHTS/ BOX QUANTITIES

Dial	Unit	A	B	C	D	E	F	G
2 ½"	In.	2.67"	1.17"	1.08"	2.19"	¼"	3.84"	2.45"
	mm	68	30	28	56	NPT	98	62

Dial Size	Est. Unit Weight	Box Qty
2 ½"	0.55 lbs (0.26 kg)	50



SEC-304LFW ALL STAINLESS FRONT FLANGE PANEL MOUNT

All stainless steel gauge with welded case-to-stem connection

Stainless steel case and bezel, 316 stainless steel internals

Glycerine filled for added durability in applications where vibration or pulsation is present

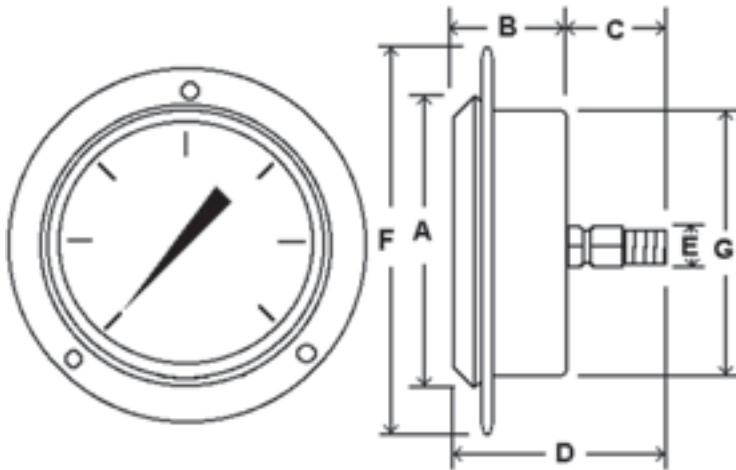
SPECIFICATIONS

Dial	2 ½" (63 mm)
Case	Stainless steel, glycerine filled Welded case-to-stem connection
Wetted Parts	316 stainless steel
Bezel	Stainless steel, fixed
Lens	Polycarbonate
Pointer	Black aluminum
Connection	Center back mount with front flange 2 ½" dial = ¼" NPT
Scale	Standard: psi/BAR (x 100 = kPa)
Accuracy	3-2-3% of span ASME B40.1 Grade B
Ambient Temp	Glycerine Filled = 30° F to 160° F Dry = -30° F to 180° F

3



Design meets or exceeds ASME B40.100 pressure gauge standard.



Dial	Unit	A	B	C	D	E	F	G
2 ½"	In.	2.67"	1.17"	1.08"	2.19"	¼"	3.46"	2.45"
	mm	68	30	28	56	NPT	88	62

For complete flange dimensions, see page 123.

AVAILABLE OPTIONS*

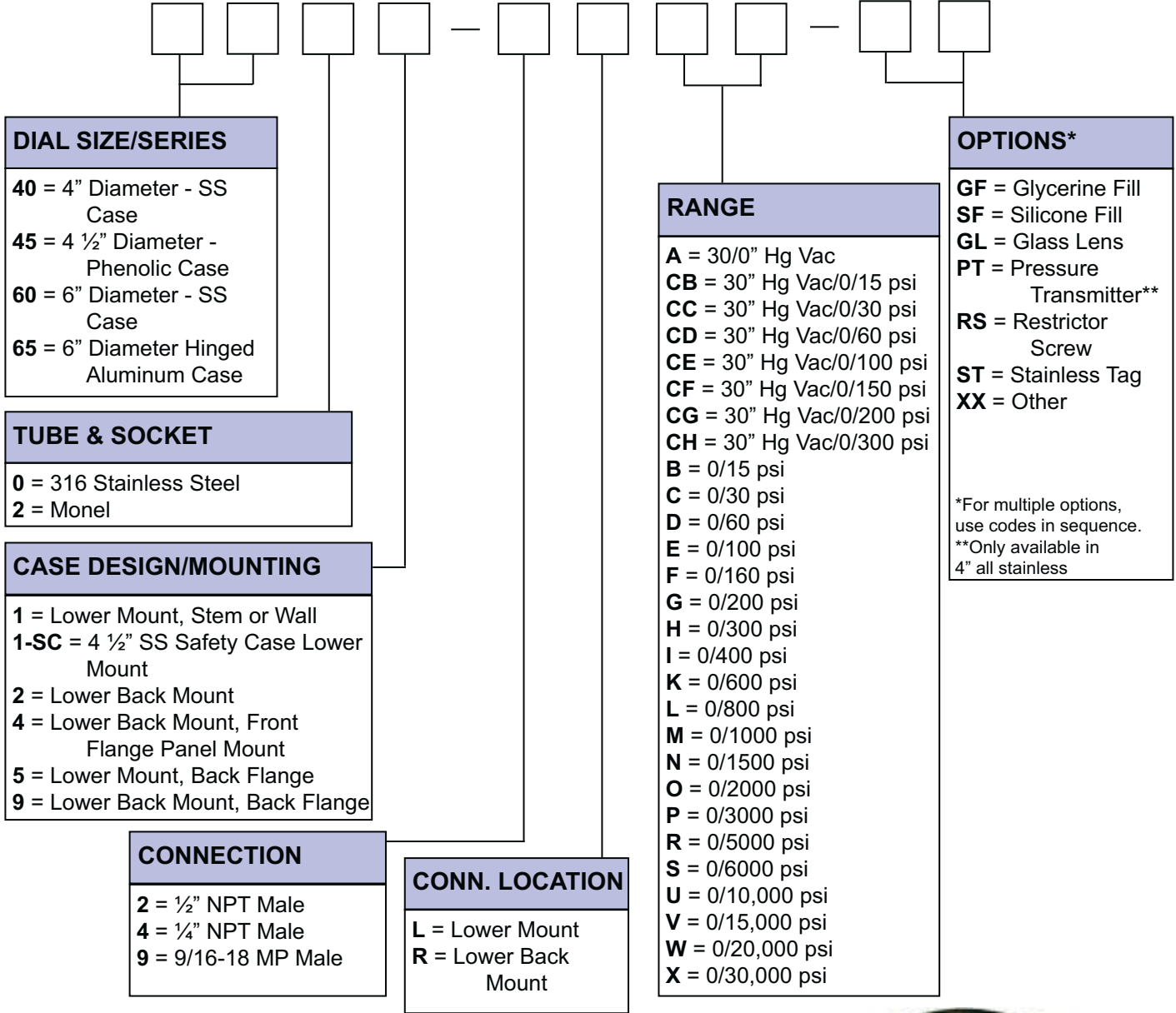
- Certificate of Accuracy, NIST traceable
- Custom Dial
- Liquid Fill Options, see page 176
- Anti-Vibration Movement, see page 109
- Dry, Fillable Case
- Glass Lens
- Special Connection Size
- Max/Min Pointer, see page 122

*Lead times/minimums may apply

APPROXIMATE SHIPPING WEIGHTS/ BOX QUANTITIES

Dial Size	Est. Unit Weight	Box Qty
2 ½"	0.50 lbs (0.24 kg)	50

HEAVY DUTY/PROCESS GAUGE PART NUMBERING SYSTEM



4

EXAMPLE: "4501-4LE-GF"

45 = 4 1/2" Diameter Dial Size
0 = 316 Stainless Steel Tube & Socket
1 = Lower Mount

4 = 1/4" NPT male
L = Lower Mount
E = 0/100 psi

GF = Glycerine Fill



NOTE: Not all part numbers or options are available from stock. Consult PIC Gauges for availability.

A Division of Engineered Specialty Products, Inc.



4001 4" HEAVY DUTY ALL STAINLESS STEEL

Heavy duty, all stainless steel gauge with removable bezel, adjustable pointer
1% accuracy, welded case-to-stem connection, dry yet fillable

SPECIFICATIONS

Dial	4" (100 mm)
Case	Stainless steel, dry yet fillable Welded case-to-stem connection
Wetted Parts	316 stainless steel
Movement	With overload/underload stops
Bezel	Removable, stainless steel
Lens	Laminated safety glass
Pointer	Adjustable, black aluminum
Connection	Lower mount ¼" or ½" NPT
Scale	Standard: single scale psi
Accuracy	1% of span ASME B40.1 Grade 1A
Ambient Temp	Dry = -30° F to 180° F Glycerine Filled = 30° F to 160° F

Design meets or exceeds ASME B40.100 pressure gauge standard.

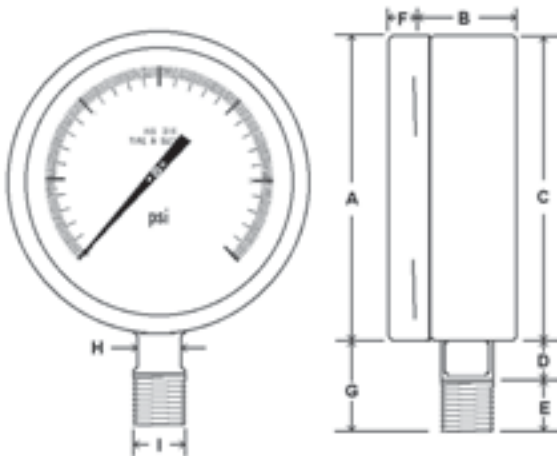


AVAILABLE OPTIONS*

- Certificate of Accuracy, NIST traceable
 - Custom Dial
 - Liquid Fill Options, see page 176
 - High Pressure Connection - 9/16" HPM
- See 4001-9/16 page 51
 - Special Connection Size
 - Knife-edge pointer
 - Protective Rubber Cover, see page 121
 - Max/Min Pointer, see page 122
 - 0.5% Accuracy Available
- *Lead times/minimums may apply

APPROXIMATE SHIPPING WEIGHTS/ BOX QUANTITIES

Dial Size	Est. Unit Wt.	Box Qty
4"	1 lb/0.48 kg	15



Dial	Unit	A	B	C	D	E	F	G	H	I (=NPT)
4"	In.	4.02"	1.93"	3.87"	0.70"	0.74"	0.66"	1.38"	0.68"	¼" or ½"
	mm	102	49	99	18	19	17	35	17	

STANDARD DIAL CONFIGURATIONS FOR 4001 SERIES

Dial Range	Figure Intervals	Graduation Intervals	Dial Range	Figure Intervals	Graduation Intervals	Dial Range	Figure Intervals	Graduation Intervals
30/0"hg Vac	3" hg	0.2" hg	0/60 psi	5 psi	0.5 psi	0/2000 psi	200 psi	20 psi
30/0/15 psi	5" hg/3 psi	0.5"hg/.2 psi	0/100 psi	10 psi	1 psi	0/3000 psi	500 psi	20 psi
30/0/30 psi	10" hg/5psi	1" hg/.5 psi	0/160 psi	20 psi	2 psi	0/5000 psi	500 psi	50 psi
30/0/60 psi	10" hg/5psi	1" hg/.5 psi	0/200 psi	20 psi	2 psi	0/6000 psi	500 psi	50 psi
30/0/100 psi	30" hg/10psi	2" hg/1 psi	0/300 psi	30 psi	2 psi	0/10,000 psi	1000 psi	100 psi
30/0/150 psi	30" hg/20psi	5" hg/2 psi	0/400 psi	50 psi	5 psi	0/15,000 psi	3000 psi	100 psi
30/0/300 psi	30" hg/50psi	5" hg/2 psi	0/600 psi	50 psi	5 psi	0/20,000 psi	2000 psi	200 psi
0/15 psi	1 psi	0.1 psi	0/1000 psi	100 psi	10 psi	0/30,000 psi	6000 psi	200 psi
0/30 psi	3 psi	0.2 psi	0/1500 psi	200 psi	10 psi			

NOTE: Specifications are subject to change. Consult PIC Gauges for availability.

4001 9/16" HIGH PRESSURE CONNECTION

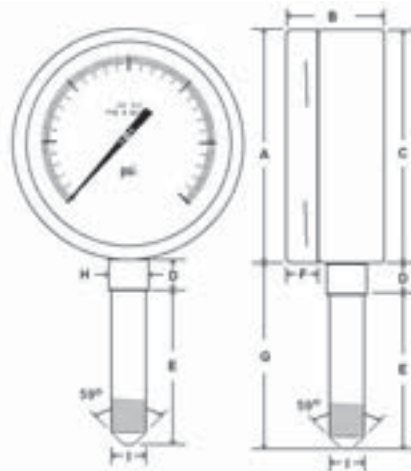


Heavy duty, all stainless steel gauge with removable bezel, adjustable pointer
 1% accuracy, welded case-to-stem connection, dry yet fillable
 9/16" HPM connection, Ranges 10,000 psi, 15,000 psi, 20,000 psi, 30,000 psi

SPECIFICATIONS

Dial	4" (100 mm)
Case	Stainless steel, dry yet fillable Welded case-to-stem connection
Wetted Parts	316 stainless steel
Movement	With overload/underload stops
Bezel	Removable, stainless steel,
Lens	Laminated safety glass
Pointer	Adjustable, black aluminum
Connection	Lower mount 9/16-18" High Pressure Male
Scale	Standard: single scale psi
Accuracy	1% of span ASME B40.1 Grade 1A
Ambient Temp	Dry = -30° F to 180° F Glycerine Filled = 30° F to 160° F

Design meets or exceeds ASME B40.100 pressure gauge standard.



Dial	Unit	A	B	C	D	E	F	G	H	Thread
4"	In.	4.00"	1.97"	3.87"	0.81"	2.45"	0.66"	3.26"	0.68"	9/16-18
	mm	100	50	99	21	62	17	83	17	MP Male

AVAILABLE OPTIONS*

- Certificate of Accuracy, NIST traceable
- Custom Dial
- Liquid Fill Options, see page 176
- Cleaned for Oxygen Service (dry only)
- Knife-edge pointer
- Protective Rubber Cover, see page 121
- With Gland/Collar
- Max/Min Pointer, see page 122
- 0.5% Accuracy Available

*Lead times/minimums may apply

APPROXIMATE SHIPPING WEIGHTS/ BOX QUANTITIES

Dial Size	Est. Unit Wt.	Box Qty
4"	1.20 lbs (0.54 kg)	15

STANDARD DIAL CONFIGURATIONS FOR 4001 9/16" SERIES

Part Number	Dial Range	Figure Intervals	Graduation Intervals
4001-9LU	0/10,000 psi	1,000 psi	100 psi
4001-9LV	0/15,000 psi	3,000 psi	100 psi
4001-9LW	0/20,000 psi	2,000 psi	200 psi
4001-9LX	0/30,000 psi	6,000 psi	200 psi



Part Number	Description
60-2H9	Collar
60-2HM9	Gland

SOLD SEPARATELY

NOTE: Because of continuing improvements, specifications are subject to change without notice. Stock ranges vary by dial size and configuration. Consult PIC Gauges for availability.



6000 SERIES 6" HEAVY DUTY ALL STAINLESS STEEL

Heavy duty, all stainless steel gauge with removable bezel, adjustable pointer
1% accuracy, welded case-to-stem connection, dry yet fillable

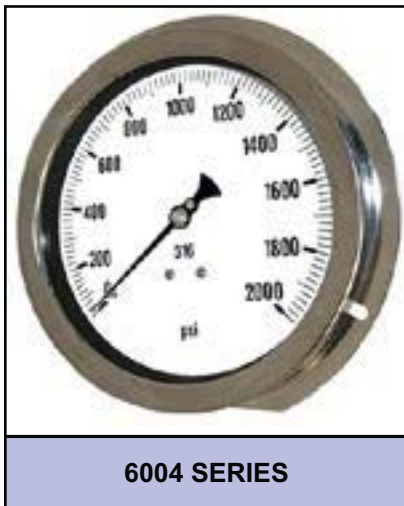
4



6001 SERIES



6002 SERIES



6004 SERIES



6009 SERIES

STANDARD DIAL CONFIGURATIONS FOR 6000 SERIES

Dial Range	Figure Intervals	Graduation Intervals	Dial Range	Figure Intervals	Graduation Intervals	Dial Range	Figure Intervals	Graduation Intervals
30/0"hg Vac	3" hg	0.2" hg	0/60 psi	5 psi	0.5 psi	0/1500 psi	200 psi	10 psi
30/0/30 psi	10" hg/5 psi	1" hg/.5 psi	0/100 psi	10 psi	1 psi	0/2000 psi	200 psi	20 psi
30/0/60 psi	10" hg/5 psi	1" hg/.5 psi	0/160 psi	20 psi	2 psi	0/3000 psi	500 psi	20 psi
30/0/100 psi	30" hg/10psi	2" hg/1 psi	0/200 psi	20 psi	2 psi	0/5000 psi	500 psi	50 psi
30/0/150 psi	30" hg/20psi	5" hg/2 psi	0/300 psi	30 psi	2 psi	0/6000 psi	500 psi	50 psi
30/0/300 psi	30" hg/50psi	5" hg/2 psi	0/400 psi	50 psi	5 psi	0/10,000 psi	1000 psi	100 psi
0/15 psi	1 psi	0.1 psi	0/600 psi	50 psi	5 psi	0/15,000 psi	3000 psi	100 psi
0/30 psi	3 psi	0.2 psi	0/1000 psi	100 psi	10 psi			

NOTE: Because of continuing improvements, increments are subject to change.
Stock ranges vary by dial size and configuration. Consult PIC Gauges for availability.

6001 6" ALL STAINLESS LOWER MOUNT

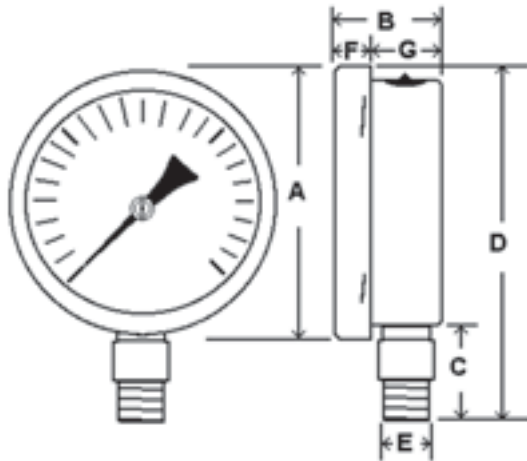


Heavy duty, all stainless steel gauge with removable bezel, adjustable pointer
1% accuracy, welded case-to-stem connection, dry yet fillable

SPECIFICATIONS

Dial	6" (150 mm)
Case	Stainless steel, dry yet fillable Welded case-to-stem connection
Wetted Parts	316 stainless steel
Movement	With overload/underload stops
Bezel	Removable, stainless steel
Lens	Laminated safety glass
Pointer	Micro adjustable, black aluminum
Connection	Lower mount 1/4" or 1/2" NPT
Scale	Standard: single scale psi
Accuracy	1% of span ASME B40.1 Grade 1A
Ambient Temp	Dry = -30° F to 180° F Glycerine Filled = 30° F to 160° F

Design meets or exceeds ASME B40.100 pressure gauge standard.



Dial	Unit	A	B	C	D	E	F	G
6"	In.	6.75"	2.05"	1.50"	8.41"	1/4" or 1/2" NPT	0.73"	1.27"
	mm	172	52	38	214		18	32

AVAILABLE OPTIONS*

- Certificate of Accuracy, NIST traceable
- Custom Dial
- Liquid Fill Options, see page 176
- Special Connection Size
- Cleaned for Oxygen Service (dry only)
- Polycarbonate Lens

*Lead times/minimums may apply

APPROXIMATE SHIPPING WEIGHTS/ BOX QUANTITIES

Dial Size	Est. Unit Wt.	Box Qty
6"	2.15 lbs (0.98 kg)	10

4



6002 6" ALL STAINLESS LOWER BACK MOUNT

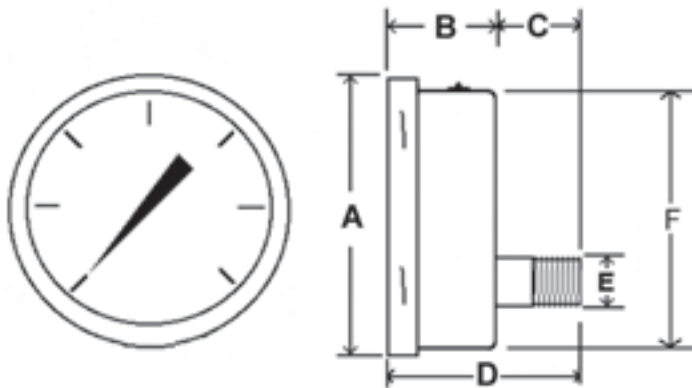
Heavy duty, all stainless steel gauge with removable bezel, adjustable pointer
 1% accuracy, welded case-to-stem connection, dry yet fillable

SPECIFICATIONS

Dial	6" (150 mm)
Case	Stainless steel, dry yet fillable Welded case-to-stem connection
Wetted Parts	316 stainless steel
Movement	With overload/underload stops
Bezel	Removable, stainless steel
Lens	Laminated safety glass
Pointer	Micro adjustable, black aluminum
Connection	Lower back mount 1/4" NPT
Scale	Standard: single scale psi
Accuracy	1% of span ASME B40.1 Grade 1A
Ambient Temp	Dry = -30° F to 180° F Glycerine Filled = 30° F to 160° F

4

Design meets or exceeds ASME B40.100 pressure gauge standard.



Dial	Unit	A	B	C	D	E	F
6"	In.	6.76"	2.02"	1.35"	3.37"	1/4" or	6.24"
	mm	172	52	34	86	1/2"	158

AVAILABLE OPTIONS*

- Certificate of Accuracy, NIST traceable
- Custom Dial
- Liquid Fill Options, see page 176
- Special Connection Size
- Cleaned for Oxygen Service (dry only)
- Polycarbonate Lens
- 1/2" NPT or Custom Connections

*Lead times/minimums may apply

APPROXIMATE SHIPPING WEIGHTS/ BOX QUANTITIES

Dial Size	Est. Unit Wt.	Box Qty
6"	2.20 lbs (1.00 kg)	upon request

6004 6" ALL STAINLESS FRONT FLANGE PANEL MOUNT



Heavy duty, all stainless steel gauge with removable bezel, adjustable pointer
1% accuracy, welded case-to-stem connection, dry yet fillable

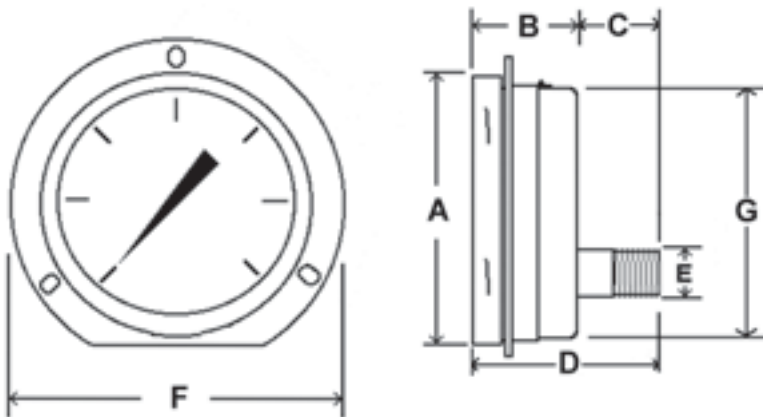
SPECIFICATIONS

Dial	6" (150 mm)
Case	Stainless steel, dry yet fillable Welded case-to-stem connection
Wetted Parts	316 stainless steel
Movement	With overload/underload stops
Bezel	Removable, stainless steel
Lens	Laminated safety glass
Pointer	Micro adjustable, black aluminum
Connection	Lower back mount with front flange 1/4" NPT
Scale	Standard: single scale psi
Accuracy	1% of span ASME B40.1 Grade 1A
Ambient Temp	Dry = -30° F to 180° F Glycerine Filled = 30° F to 160° F



4

Design meets or exceeds ASME B40.100 pressure gauge standard.



AVAILABLE OPTIONS*

- Certificate of Accuracy, NIST traceable
- Custom Dial
- Liquid Fill Options, see page 176
- Special Connection Size
- Cleaned for Oxygen Service (dry only)
- Polycarbonate Lens
- 1/2" NPT or Custom Connections

*Lead times/minimums may apply

Dial	Unit	A	B	C	D	E	F	G
6"	In.	6.76"	2.02"	1.35"	3.37"	1/4" or 1/2"	7.65"	6.24"
	mm	172	52	34	86	NPT	194	158

For complete flange dimensions, see page 123.

APPROXIMATE SHIPPING WEIGHTS/ BOX QUANTITIES

Dial Size	Est. Unit Wt.	Box Qty
6"	2.30 lbs (1.06 kg)	5



6009 6" ALL STAINLESS BACK FLANGE

Heavy duty, all stainless steel gauge with removable bezel, adjustable pointer
 1% accuracy, welded case-to-stem connection, dry yet fillable

SPECIFICATIONS

Dial	6" (150 mm)
Case	Stainless steel, dry yet fillable Welded case-to-stem connection
Wetted Parts	316 stainless steel
Movement	With overload/underload stops
Bezel	Removable, stainless steel
Lens	Laminated safety glass
Pointer	Micro adjustable, black aluminum
Connection	Lower back mount with back flange 1/4" NPT standard 1/2" NPT available (limited ranges)
Scale	Standard: single scale psi
Accuracy	1% of span ASME B40.1 Grade 1A
Ambient Temp	Dry = -30° F to 180° F Glycerine Filled = 30° F to 160° F

4

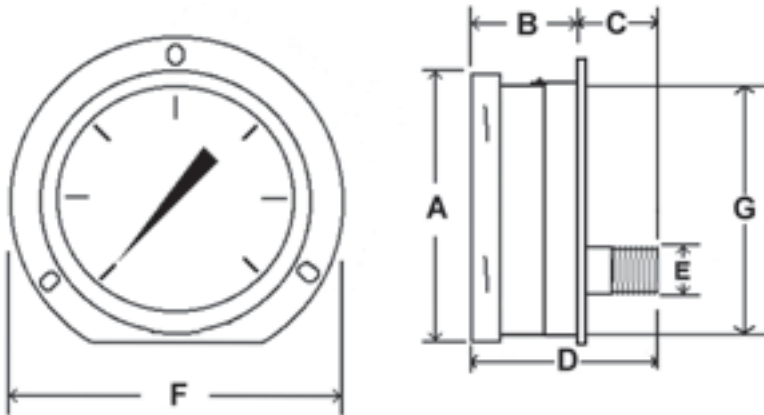
Design meets or exceeds ASME B40.100 pressure gauge standard.



AVAILABLE OPTIONS*

- Certificate of Accuracy, NIST traceable
- Custom Dial
- Liquid Fill Options, see page 176
- Special Connection Size
- Cleaned for Oxygen Service (dry only)
- Polycarbonate Lens

*Lead times/minimums may apply



APPROXIMATE SHIPPING WEIGHTS/ BOX QUANTITIES

Dial	Unit	A	B	C	D	E	F	G
6"	In.	6.76"	2.02"	1.50"	3.54"	1/4" or 1/2"	7.63"	6.24"
	mm	172	52	38	90	NPT	194	158

Dial Size	Est. Unit Wt.	Box Qty
6"	4.65 lbs (2.10 kg)	upon request

For complete flange dimensions, see page 123.