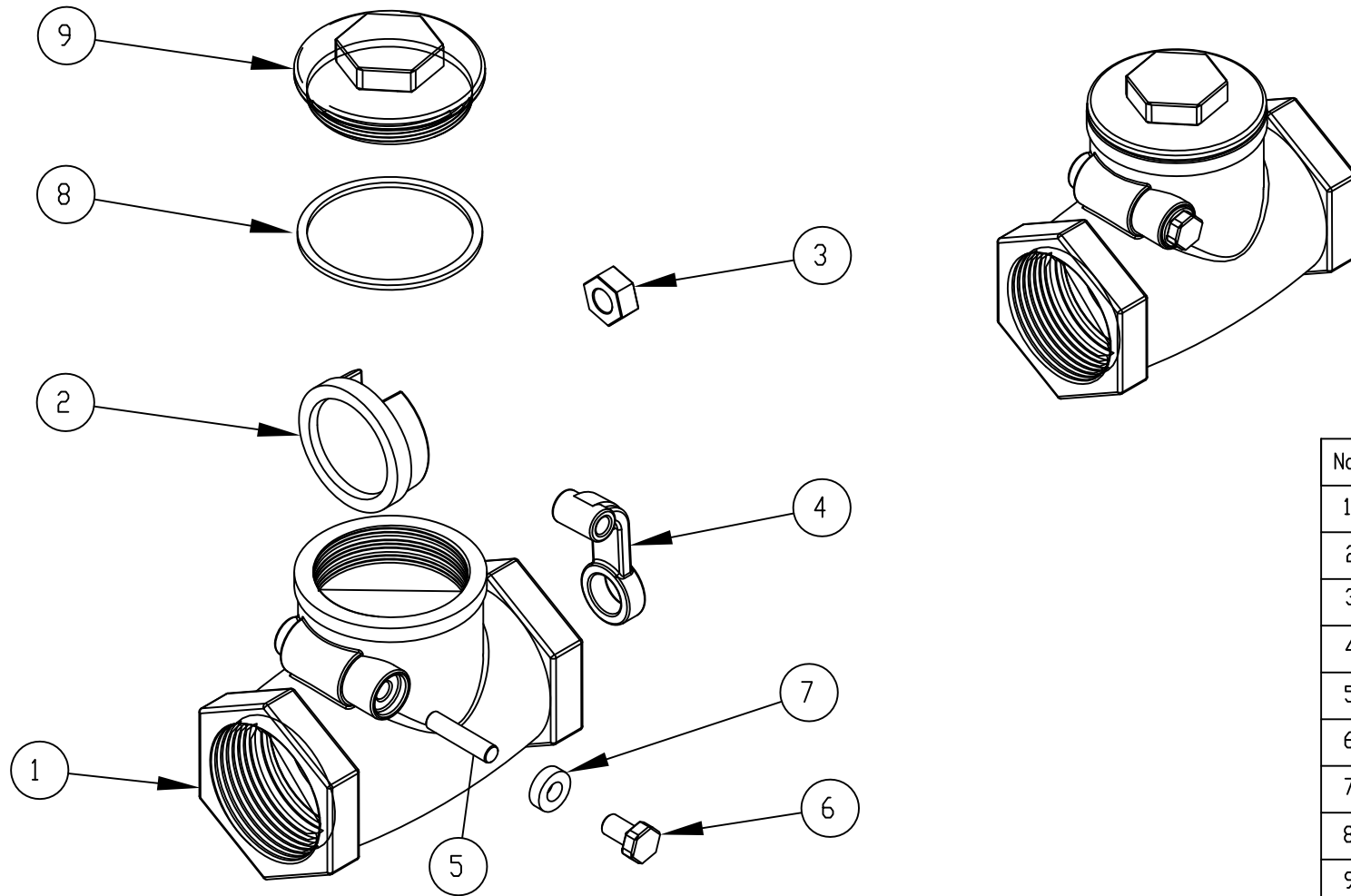


Valve Size	1/2	3/4	1	1-1/4	1-1/2	2	2-1/2	3
L m/m	60.0	78.0	84.0	94.0	104.0	122.0	153.0	175.0
H m/m	41.5	46.0	49.0	53.5	58.5	67.0	105.0	125.0
Weight/kgs	0.29	0.53	0.69	0.85	1.20	1.80	3.50	5.00

## CLASS 600 SWING CHECK VALVE DIMENSION



No	Part	Q'ty	Material	Note
1	Body	1	304;316;CF8M	
2	Disc	1	304;316;CF8M	
3	Disc nut	1	304.	
4	Connecting rod	1	304;316;CF8M	
5	Pin	1	304;316;	
6	Bolt	1	304	
7	Bolt Washer	1	Teflon	
8	Gasket	1	Teflon	
9	Cap	1	304;316;CF8M	

Rev.	<i>A</i>	<b>INOX-TEK IND. CO., LTD.</b>						
Checked	<i>Morris</i>	Date	<i>2009/3/16</i>	Type	<b>IT-403</b>			
Designer	<i>Kevin</i>	Scale	<i>Fit</i>	Dwg_No.	<b>IT_600SC_011</b>			
Drawn	<i>Aaron</i>	Describe	<b>SWING CHECK</b>					