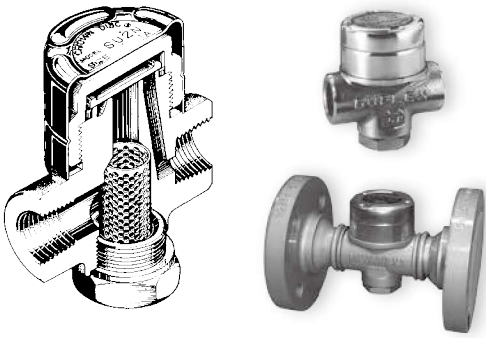
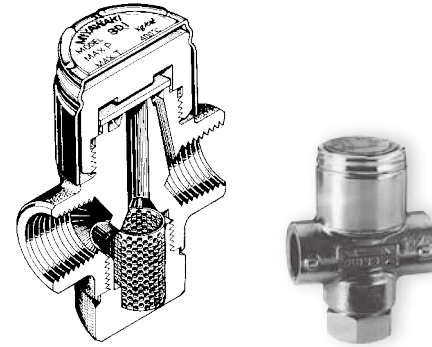


SU2N, SU2H

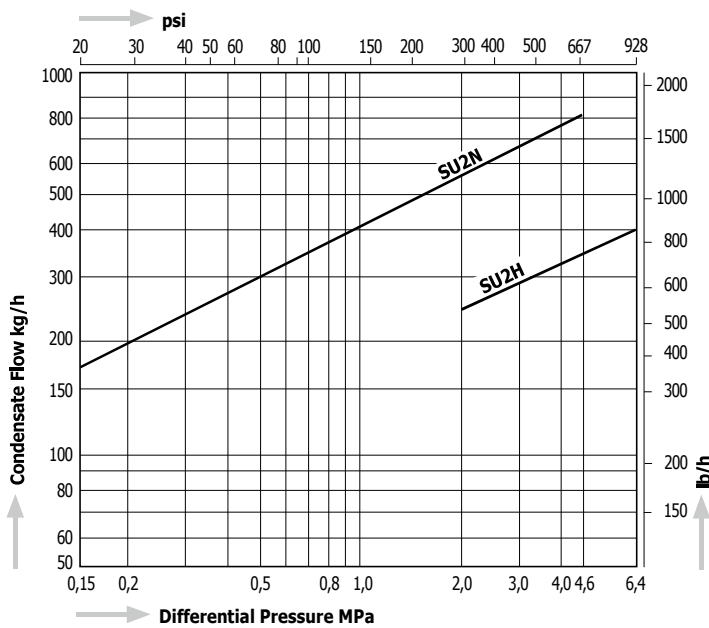


SD1

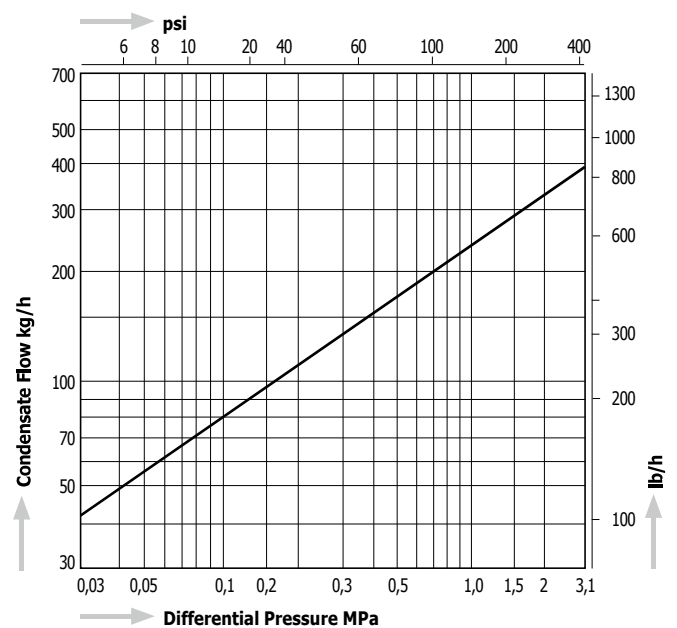


Special face-to-face dimensions available.

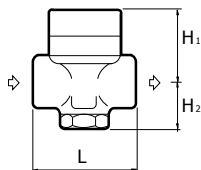
Capacity Chart **SU2N, SU2H**



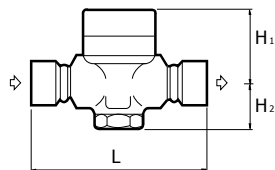
Capacity Chart **SD1**



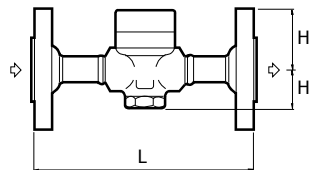
Dimensions **SU2N, SU2H**



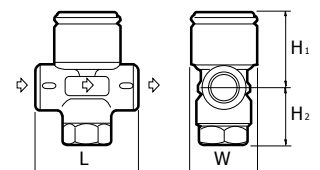
SU2NW, SU2HW



SU2NF, SU2HF



SD1



Model	Connections	Size	Max. Operating Pressure		Max. Operating Temperature		Dimensions (mm)				Dimensions (in)				Body Material	Weight						
			MPa	psig	°C	°F	L	H1	H2	W	L	H1	H2	W		kg	lb					
SU2N (SU2H)	Screwed Rc, NPT	1/2"	4,6 (6,4)	667 (928)	425	800	70	47	32	53	2.8	1.9	1.3	2.1	Stainless Steel SUS420J2	0,8	1.8					
		3/4"					75	51			3.0	2.0				0,9	2.0					
		1"																				
SU2NW (SU2HW)	Socket Weld JIS, ASME, DIN	1/2"									140	47	32	53		5.5	1.9	1.3	2.1		1,4	3.1
		3/4"																			1,3	2.9
		1"																			1,2	2.6
SU2NF (SU2HF)	Flanged JIS, ASME	1/2"									205	47	32	53		8.1	1.9	1.3	2.1	Stainless Steel SUS420J2	2,7	5.9
		3/4"																			3,7	8.1
		1"																			4,3	9.5
	Flanged DIN PN40	DN15					150	47	32	53	5.9	1.9	1.3	2.1	2,6	5.7						
		DN20									6.3				3,3	7.3						
		DN25				160								3,8	8.4							
SD1	Screwed Rc, NPT	1/4"	3,1	450	400	752	52	39	25	34	2.0	1.5	1.0	1.3	Stainless Steel SUS420J2	0,3	0.7					
		3/8"					60	41	23		2.4	1.6	0.9									
		1/2"																				