

APR66 Series

Single Stage, High Pressure Regulator
Pressure Reducing, Stainless Steel or Brass



Value Proposition:

The APR66 Series is a high pressure reducing, single-stage regulator designed to operate at inlet pressures up to 6000 psig.

The APR66 offers a full range of pressure sensing without time consuming spring and piston change outs.



Contact Information:

Parker Hannifin Corporation
Veriflo Division
250 Canal Blvd
Richmond, California 94804

phone 510 235 9590
fax 510 232 7396
veriflo.sales@parker.com

www.parker.com/veriflo
Mobile App: m.parker.com/veriflo

Product Features:

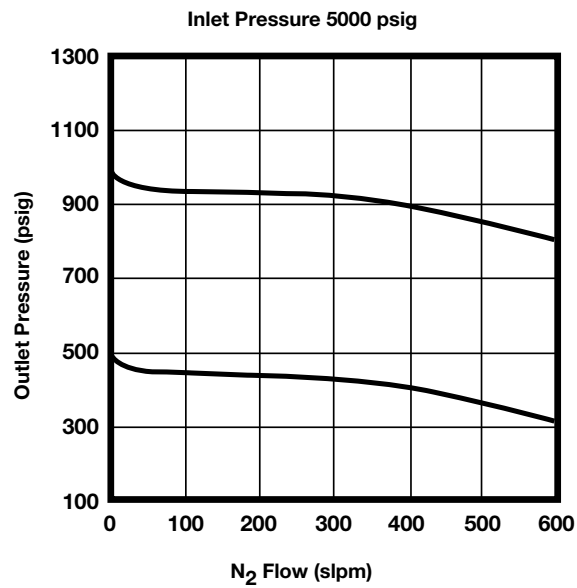
- Piston sensing
- Thrust bearing allows low actuating torque and precise setability
- Cleaned for O₂ service is standard
- Low friction adjusting screw sleeve provides smooth operation
- Optional self relieving feature allows user to decrease outlet pressure in closed systems. Feature is actuated by turning the adjusting knob counterclockwise



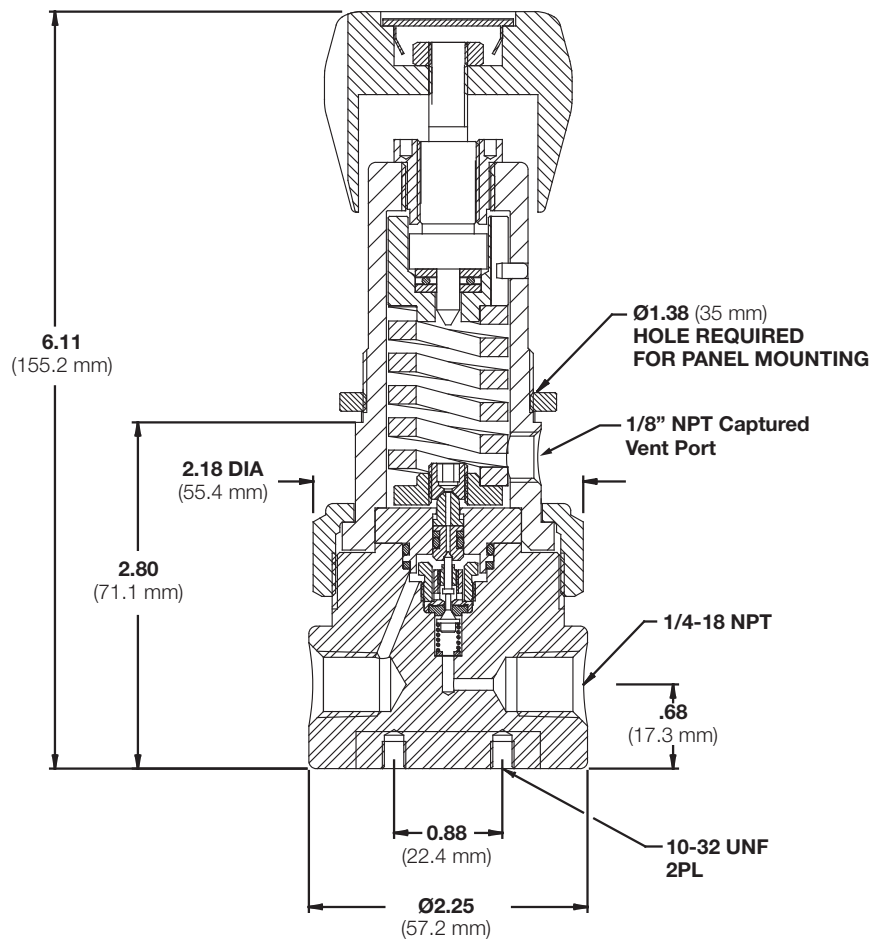
ENGINEERING YOUR SUCCESS.

APR66 Series

Flow Curve



Dimensional Drawing



Safety Guide and Installation and Operating Instructions available at
www.parker.com/veriflo

APR66 Series

Ordering Information

Build an APR66 Series regulator by replacing the numbered symbols with an option from the corresponding tables below.

Color Explanations: Black = Standard Lead Time Configurations
Blue = Extended Lead Time Configurations
Green Italic = Express Service Program (ESP)

For an explanation of Ordering options please reference literature 25000275 at www.parker.com/veriflo

Sample: **APR66** **S** **4P** **1** **X** **X** **4** **M** **320**
Finished Order: **APR66S4P1XX4M320**



1 Body Material

B = Nickel Plated Brass
S = 316L Stainless Steel



2 Porting

2P = 2 Ports *No X required for gauges, inlet & outlet ports only*

3P = 3 Ports *One X for gauge port*

4P = 4 Ports *Two X's for gauge ports*
See Regulator Porting Guide for additional options and port layouts



3 Pressure Range

1 = 100 - 1000 psig

2 = 100 - 2000 psig

3 = 100 - 3000 psig

4 = 100 - 6000 psig



4 Outlet Gauge

10 = 0 - 1000 psig

20 = 0 - 2000 psig

30 = 0 - 3000 psig

40 = 0 - 4000 psig

60 = 0 - 6000 psig

X = No Gauge
Additional ranges available upon request



5 Inlet Gauge

40 = 0 - 4000 psig

60 = 0 - 6000 psig

X = No Gauge
Additional ranges available upon request



6 Port Style

2 = 1/8" NPT Female

4 = 1/4" NPT Female

D = DIN ISO 228/1 *Inlet and Outlet Ports Only*

MS = MS33649 *Inlet and Outlet Ports Only*

All Gauge ports are 1/4" NPT Female



7 Optional Features

This section can have multiple options

B = Buna-N Seal

M = Metal Knob (Black) *Required for temperatures above 150° F*

SR = Self Relieving *For safety purposes, the optional self-relieving feature is not recommended for toxic or flammable gases or liquids.*

Note: *Each unit is standard with a threaded cap and panel mount nut.*



8 CGA#

320, 330, 350, 510, 580, 590 or

660 *CGA 660 not available in brass*

Do not exceed the rated pressure of the CGA connection.

Additional configurations available upon request

Note: Veriflo reserves the right to plug NPT ports. If a true ported body is required, please contact Customer Service.

APR66 Series

Specifications

Materials of Construction	
Wetted	
Body Options	316L Stainless Steel (std) or Nickel Plated Brass
Poppet	316L Stainless Steel
Spring	Hastelloy C-22®
Seat	PEEK™
Seat & Screw Clamp	316L Stainless Steel
Plug & Screw	316L Stainless Steel
Piston	Torlon
Piston Housing	316L Stainless Steel
Stem	316L Stainless Steel
Seals	Aflas®, PTFE and PCTFE
Non-wetted	
Cap	Nickel Plated Brass
Nut	316L Stainless Steel
Knob Options	ABS (std) or Aluminum

For additional information on materials of construction, functional performance and operating conditions, please see Regulator Technical Bulletin.

Functional Performance	
Design	
Burst Pressure	18,000 psig (1,241 barg)
Proof Pressure	9,000 psig (620 barg)
Flow Capacity	C _v 0.05
Leak Rate	
Internal	Bubble Tight
External	Bubble Tight
Supply Pressure Effect	
100 - 1,000 psig	4 psig/100 psig (0.28 barg/7 barg)
100 - 2,000 psig	4 psig/100 psig (0.28 barg/7 barg)
100 - 3,000 psig	4 psig/100 psig (0.28 barg/7 barg)
100 - 6,000 psig	6 psig/100 psig (0.4 barg/7 barg)
Approx. Weight	3.0 lbs. (1.4 kg)
Operating Conditions	
Maximum Inlet	6,000 psig (414 barg)
Outlet Options	100 - 1,000 psig (69 barg)
	100 - 2,000 psig (138 barg)
	100 - 3,000 psig (207 barg)
	100 - 6,000 psig (414 barg)
Temperature	Metal Knob required for temperatures above 150°F
	-40°F to 165°F (-40°C to 74°C)

Aflas® is a registered trademark of 3M Company
Hastelloy C-22® is a registered trademark of Haynes International, Inc.
PEEK™ is a trademark of Victrex plc.

OFFER OF SALE:

The items described in this document are hereby offered for sale by Parker-Hannifin Corporation, its subsidiaries or its authorized distributors. This offer and its acceptance are governed by the provisions stated in the detailed "Offer of Sale" elsewhere in this document or available at www.parker.com/veriflo



FAILURE OR IMPROPER SELECTION OR IMPROPER USE OF THE PRODUCTS DESCRIBED HEREIN OR RELATED ITEMS CAN CAUSE DEATH, PERSONAL INJURY AND PROPERTY DAMAGE. THIS DOCUMENT IS FOR REFERENCE ONLY. PLEASE CONSULT FACTORY FOR LATEST PRODUCT DRAWINGS AND SPECIFICATIONS

This document and other information from Parker-Hannifin Corporation, its subsidiaries and authorized distributors provide product or system options for further investigation by users having technical expertise.

The user, through its own analysis and testing, is solely responsible for making the final selection of the system and components and assuring that all performance, endurance, maintenance, safety and warning requirements of the application are met. The user must analyze all aspects of the application, follow applicable industry standards, and follow the information concerning the product in the current product catalog and in any other materials provided from Parker or its subsidiaries or authorized distributors.

To the extent that Parker or its subsidiaries or authorized distributors provide component or system options based upon data or specifications provided by the user, the user is responsible for determining that such data and specifications are suitable and sufficient for all applications and reasonably foreseeable uses of the components or systems.

The products described herein, including without limitation, product features, specifications, designs, availability and pricing are subject to change by Parker Hannifin Corp and its subsidiaries at any time without notice.

Proposition 65 Warning: This product contains chemicals known to the state of California to cause cancer or birth defects or other reproductive harm.

© 2009 Parker Hannifin Corporation



Use mobile device to scan this QR Code.

LitPN: 25000027

Rev: G

Date of Issue 08/2013



ENGINEERING YOUR SUCCESS.