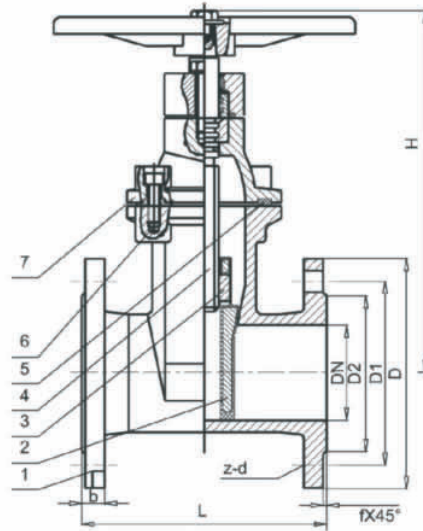


**Resilient Seated Gate Valve  
(Din3202)**

**Main Materials**

Part No.	Part	Material
1	Body	Grey Cast Iron (GG25)/Ductile Iron (GGG40), epoxy coating 300 microns
2	Wedge	Ductile Iron encapsulated with EPDM / NBR rubber
3	Stem Nut	Brass
4	Stem	SS304/SS316/SS316L
5	Gasket	NBR
6	Bolt & Nut	SS316/SS316L
7	Bonnet	Grey Cast Iron(GG25)/Ductile Iron (GGG40)

Other materials not mentioned above are available on request

**Technical Parameter**

Pressure Rating : PN16

Flange Drilling and Face to Face Dimensions : DIN 3202 F4, F5

Application : Water and Non aggressive effluent

Shell test Pressure : 24 Bar

Seat test pressure : 18 Bar

Working Temperature : 0 -100C

**Main Dimension in (mm)**

DN	D	D1	D2	W	L(F4)	L(F5)	b	H	f	Z-Ød
40	150	110	90	180	140	240	19	210	3X45°	4-Ød18
50	165	125	102	200	150	250	20	220	3X45°	4-Ød18
65	185	145	122	254	170	270	20	246	3X45°	4-Ød18
80	200	160	138	254	180	280	22	280	3X45°	8-Ød18
100	220	180	158	254	190	300	24	312	3X45°	8-Ød18
125	250	210	188	315	200	325	26	366	3X45°	8-Ød18
150	285	240	212	315	210	350	26	408	3X45°	8-Ød23
200	340	295	268	406	230	400	30	495	3X45°	12-Ød23
250	405	355	320	500	250	450	32	605	4X45°	12-Ød27
300	460	410	378	500	270	500	32	655	4X45°	12-Ød27
350	520	470	432	500	290	550	34	738	4X45°	16-Ød28
400	580	525	490	560	310	600	38	840	4X45°	16-Ød30
500	715	650	610	600	350	700	42	1050	4X45°	20-Ød33
600	840	770	725	600	390	800	48	1190	5X45°	20-Ød36