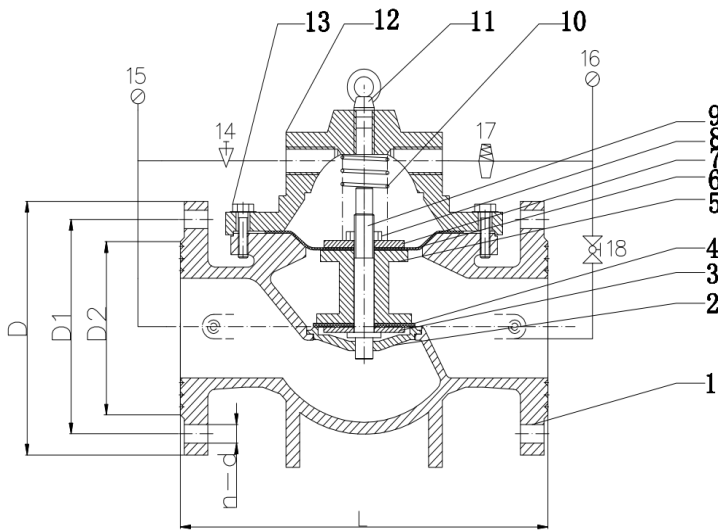


PRESSURE REDUCING CONTROL VALVE - VFC 200

Specification

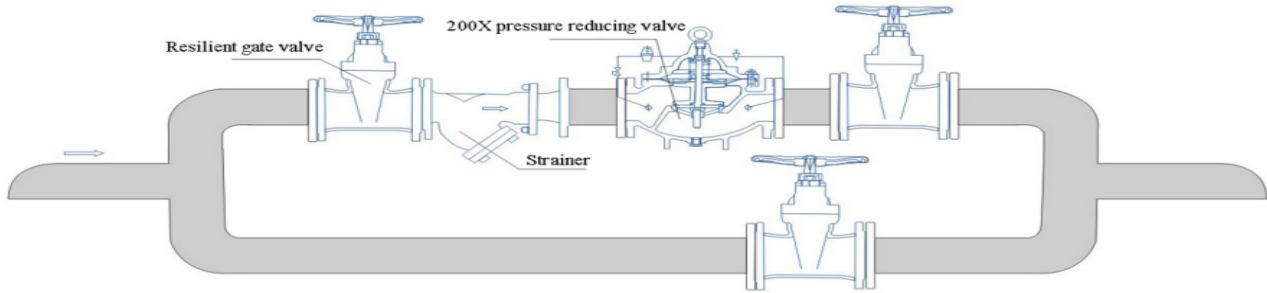
Pressure reducing valve is a smart device using the medium momentum to regulate and control the line pressure. It is used for domestic water supply, fire fighting water supply and other industrial water supply system. Regulating the outlet pressure of the main valve by the decompression guide valve. The outlet pressure will not change when the inlet pressure and inlet flow rate changed, maintaining the outlet pressure safety as stated. Also the set point can be adjusted as required. This valve reduces pressure precisely, perform stable, safe and secure, easy installation and has long service life.



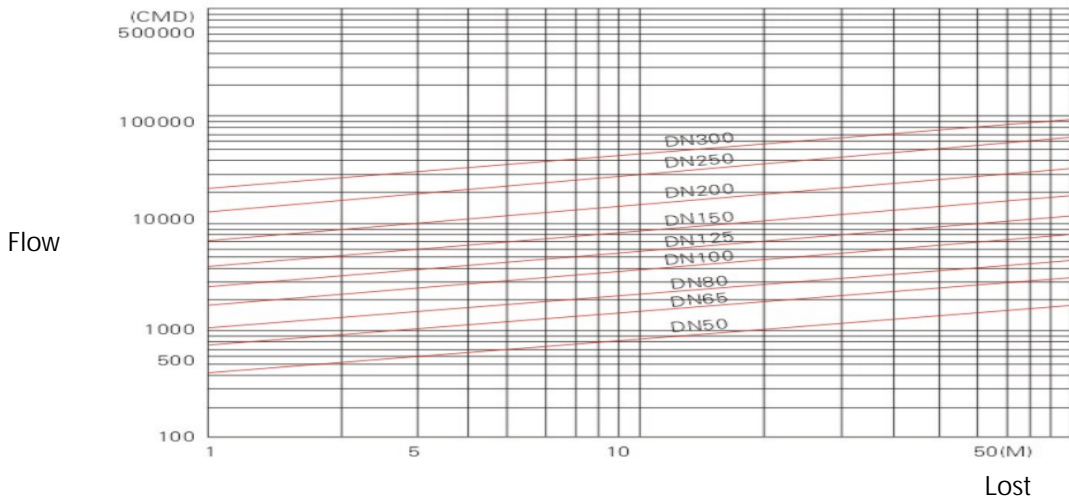
VFC 200

SIZE		L	PN16			
in	DN		D1	n-d	D2	D
2	50	240	125	4-19	99	160
2.5	65	240	145	4-19	118	180
3	80	292	160	8-19	132	195
4	100	325	180	8-19	156	215
5	125	340	210	8-19	184	245
6	150		240	8-23	211	280
8	200	470	295	12-23	266	335
10	250	550	355	12-28	319	405
12	300	630	410	12-28	370	460

Installation



Flow characteristics chart



CMD-CBM/day
Test condition
valve opened the whole day