

## Solenoid valve 2L series(High-temperature type)

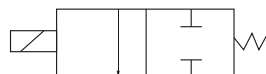


2L170-15



2L200-25

Symbol:



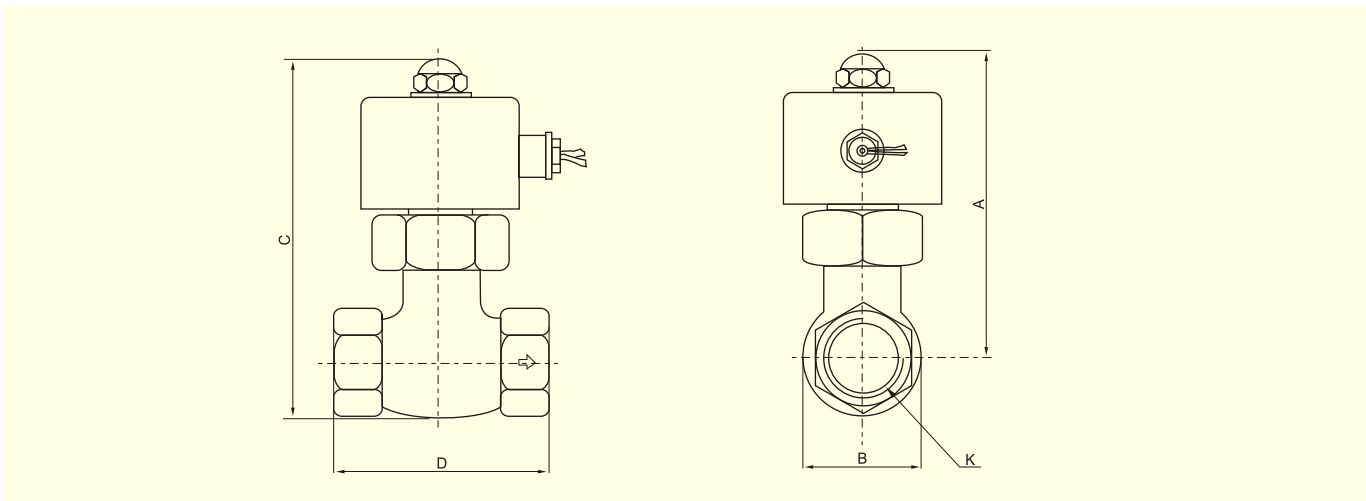
### How to order

2L	250	-	20	AC110V
2/2 way	Orifice size 170: 17mm 200: 20mm 250: 25mm 350: 35mm 400: 40mm 500: 50mm		Port size 10: 3/8 " 15: 1/2 " 20: 3/4 " 25: 1 " 35: 1 1/4 " 40: 1 1/2 " 50: 2 "	Voltage DC12V DC24V AC24V 50/60Hz AC110V 50/60Hz AC220V 50/60Hz AC380V 50/60Hz

### Specification

Model	2L170-10	2L170-15	2L200-20	2L200-25	2L350-35	2L400-40	2L500-50
Fluid	Air,Water,Oil(filtered through 40 μ filter element)						
Action	Direct type						
Type	Normally closed type						
Effective area(mm <sup>2</sup> )	17	17	20	25	35	40	40
CV Value	4.8	4.8	4.8	12	20	20	48
Port size	3/8 "	1/2 "	3/4 "	1 "	1 1/4 "	1 1/2 "	2 "
Viscosity limit	Under 20CS						
Operating pressure	1~1kgf/cm <sup>2</sup>						
Proof pressure	10kgf/cm <sup>2</sup>						
Ambient & fluid temperature	-5~85 °C						
Voltage range	±10%						
Weight (kg)							
Main parts material	Body	Brass					
	Seal	EPDM					

### Dimension



Model	A	B	C	D	K
2L170-10	122.4	42	143.4	82	PT38'
2L170-15	122.4	42	143.4	82	PT1 1/2 "
2L200-20	122.4	42	143.4	90.5	PT3/4 "
2L250-25	130	52	156	111	PT1 "
2L350-35	148	74	186	111	PT1 1/4 "
2L400-40	147	74	185	111	PT1 1/2 "
2L500-50	176	86	223	163	PT2 "