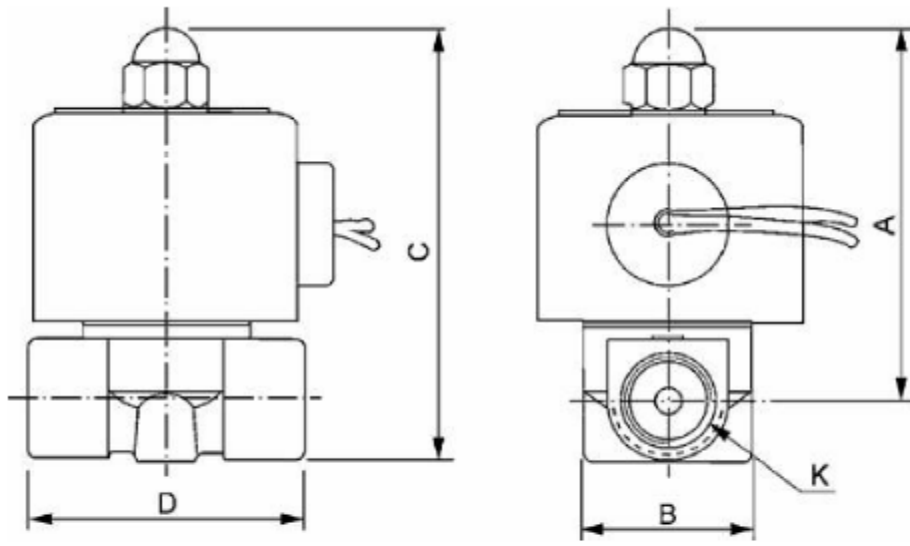




27	25	8	B	S	E	AC220V
Type	Aperture Flow Rate	Port size	Body Material	Coil type	Seal Material	Voltage
2W-2W Series Two Position Two-Way Solenoid valve	012 1.2mm	06:G1/8"	Blank Brass	Blank:Round Coil	Blank NBR	DC12V
	020 2.0mm					DC24V
2WH-2WH Series High Pressure Two Position Two-Way Solenoid valve	025 2.5mm	08:G1/4"	B.Stainless Steel	S.Square Coil	E:EPDM(For Steam) V-VITON (For High Temperature and Vacuum)	AC110V
		040 4.0mm				10:G3/8"
						AG300V
						AC24V

SPECIFICATION

Model No	2W025-06	2W025-08	2W040-10	2WH012-06	2WH012-08	2WH020-10
Working Medium	Air,Water,Oil,Gas					
Motion Pattern	Direct Drive Type					
Initial State	Normal Close or Normal Open					
Aperture of Flow Rate(mm)	2.5			1.2		
CV Value	0.23			0.05		
Joint Pipe Bore	1/8"			1/8"		
Operation Fluid Viscosity	20 CST(以下)(Below)					
Working-pressure MPa	Air,Water,Oil,Gas: 0~0.7			Air,Water,Oil: 0~2.0		
Max. Pressure Resistance MPa	1			3.5		
Operating Temperature ℃	-5 ~ 60℃					
Voltage Range	±10%					
Material of Body	Brass					
Material of Oil Seal	NBR,EPDM or VITON					



Orifice 1.2~4mm 2W Direct Acting Brass Solenoid Valve -FLUIDAC

Model No.	A	B	C	D	K
2W025-06	66	30	75	40.5	ZG1/8"
2W025-08	66	30	75	40.5	ZG1/4"
2W025-10	72.5	32	83.5	55	ZG3/8"
2WH012-08	68	30.3	75	40.5	ZG1/8"
2WH012-08	68	30.3	75	40.5	ZG1/4"
2WH020-10	74	32.2	85.5	52.5	ZG3/8"