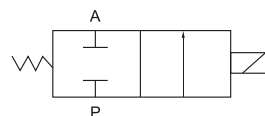




Solenoid valve SMF series(pulse valve)

Symbol:



SMF-Z-25P



SMF-Z-50P

How to order

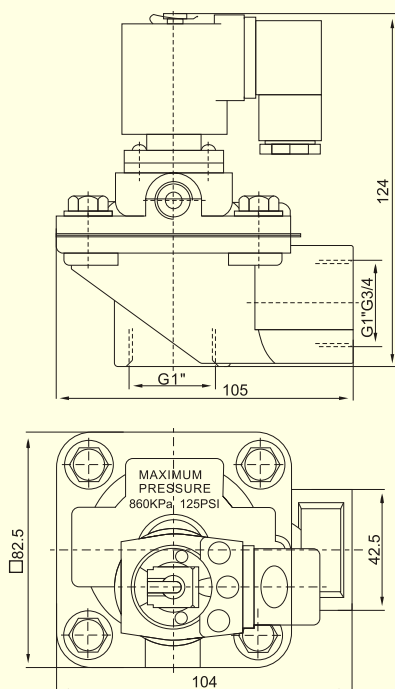
SMF	-	Z	-	20P
Solenoid pulse valve		Right-angle type		Orifice size 20: 20mm 25: 25mm 35: 35mm 50: 50mm

Specification

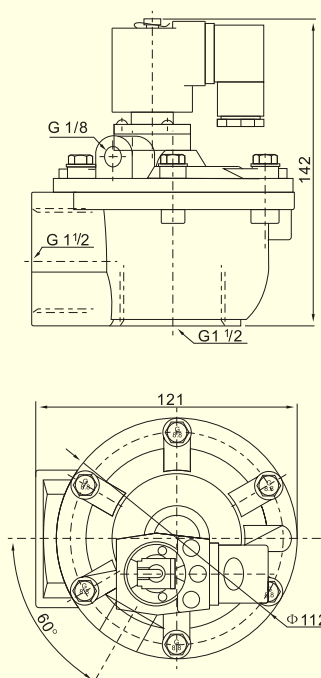
Model	SMF-Z-20P	SMF-Z-25P	SMF-Z-35P	SMF-Z-50P
Operating pressure	0.3-0.8Mpa			
Ambient & fluid temperature	-5~60°C			
Relative humidity	≤80%			
Fluid	Clean Air			
Voltage	AC110V/AC220V/DC24V			
Diaphragm life	Over one million cycles			
Effective area(mm ²)	φ 20	φ 20	φ 35	φ 50
Port size	3/4 "	1 "	3/2 "	2 "
Weight (kg)				
Main parts material	Body	Aluminum alloy		
	Seal	NBR		

Dimension

SMF-Z-20/25P



SMF-Z-35P



SMF-Z-50P

