

Models: 581-SS, 582-SS

Stainless Steel Screwed and Socket Weld End Y Strainers Size: 1/4" - 2" (8 - 50mm)

Working Pressure - Non-Shock	
	CWP
1/4" - 2"	1440psi @ 100°F (99.3 bar) @ 38°C
	Steam
1/4" - 2"	845psi @ 750°F (58.3 bar) @ 399°C

581-SS screwed **Class 600**
582-SS socket weld **Class 600**



Model 581-SS, 582-SS

Typical Service

- Used extensively to strain foreign matter from pipelines and provide economical protection for costly pumps, meters, valves, and other similar mechanical equipment.
- These are especially critical where weld debris is often present in the pipeline.
- Well suited for long service in high pressure and temperature applications.

Features

- Machined seats in both body and cap align and lock the screen in place to stop sediment bypass.
- Machined seats facilitate alignment and accurate reseating after servicing.

Construction

- Straight threaded, gasketed cap is used for easy disassembly and assembly. Many others use Loctite, rendering disassembly virtually impossible.
- Heavy duty, rugged bodies with extra heavy bore.

Self-Cleaning

- Self-cleaning is accomplished by opening the plug or valve connected to the blowoff outlet

Blowoff Outlets

- Outlets are NPT tapped
- Sizes of tapping specified on next page
- Not normally furnished with plug. Plug available, specify with order.
- Blind caps are also available, specify with order.

Capacity

- Generously proportioned bodies
- Open Area Ratio much greater than pipe size, ensuring low pressure drop

Screens

MODEL	SIZES	STANDARD (WATER)		STEAM RECOMMENDATION	
		MATERIAL	OPENING	MATERIAL	OPENING
581-SS, 582-SS	1/4 - 2"	304SS	.062 perf	304SS	.033 perf

Job Name _____
 Job Location _____
 Engineer _____
 Approval _____

Contractor _____
 Approval _____
 Contractor's P.O. No. _____
 Representative _____

Materials

581-SS, 582-SS	
Body	Stainless Steel ASTM A351 Gr. CF8M
Cap	Stainless Steel ASTM A351 Gr. CF8M
Gasket	Spiral Wound SS, Graphite Filled

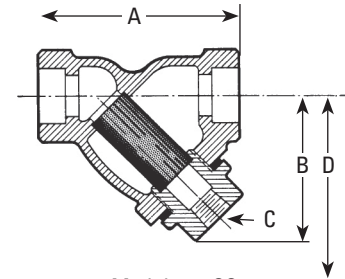
Pressure Drop

See Pressure Drop Charts in Technical Data Section.

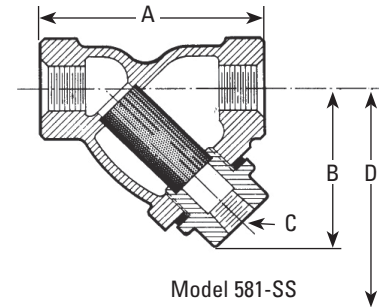
Dimensions and Weights

SIZE		DIMENSIONS								WEIGHT	
		A		B		C (NPT)		D Screen Removal			
in.	mm	in.	mm	in.	mm	in.	mm	in.	mm	lbs.	kgs.
1/4	8	2 ¹⁵ / ₁₆	76	2 ³ / ₈	60	1/4	6	2 ¹ / ₂	64	2	.91
3/8	10	2 ¹⁵ / ₁₆	76	2 ³ / ₈	60	1/4	6	2 ¹ / ₂	64	2	.91
1/2	15	2 ¹⁵ / ₁₆	76	2 ³ / ₈	60	1/4	6	2 ¹ / ₂	64	2	.91
3/4	20	3 ¹¹ / ₁₆	95	2 ¹³ / ₁₆	72	3/8	10	3 ³ / ₈	86	3	1.36
1	25	4 ⁹ / ₁₆	117	3 ¹ / ₈	130	3/8	10	4 ³ / ₄	121	5	2.27
1 ¹ / ₄	32	4 ¹⁵ / ₁₆	127	4	102	3/4	20	5 ¹ / ₄	133	6.8	3.08
1 ¹ / ₂	40	5 ⁹ / ₁₆	143	4 ³ / ₄	121	3/4	20	6	152	9.8	4.45
2	50	6 ¹⁵ / ₁₆	178	6	152	1	25	7 ⁵ / ₈	194	15	6.8

Apply for Certified Drawings.



Model 582-SS



Model 581-SS

Mueller Steam Specialty product specifications in U.S. customary units and metric are approximate and are provided for reference only. For precise measurements, please contact Mueller Steam Specialty Technical Service. Mueller Steam Specialty reserves the right to change or modify product design, construction, specifications, or materials without prior notice and without incurring any obligation to make such changes and modifications on Mueller Steam Specialty products previously or subsequently sold.



A Watts Water Technologies Company

ES-MS-581SS_582SS 1020



USA: St. Pauls, NC • Tel. 1-800-334-6259 • Fax 1-800-421-6772 • www.muellersteam.com

© 2010 Mueller Steam Specialty