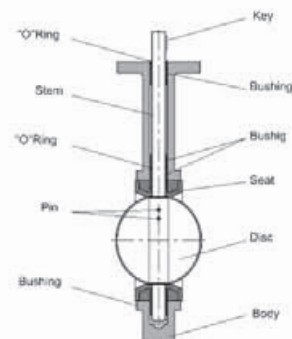
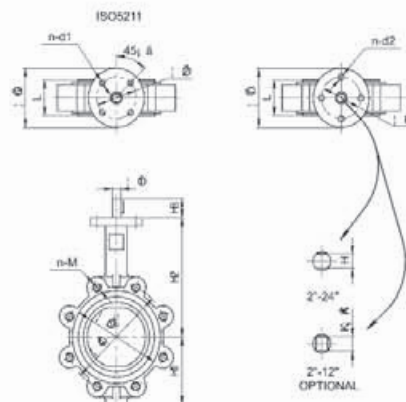


Lug Type Butterfly Valve - Lever Operated



Main Materials

| Serial No. | Part | Material |
|------------|----------------|---|
| 1 | Body | CI (GG25) / DI (GGG40) with epoxy coating 300 microns / Stainless Steel |
| 2 | Disc | Ductile Iron / SS 304 / SS 316 / Al-Bronze |
| 3 | Seat | NBR / EPDM / VITON |
| 4 | Stem | SS410 / SS304 / SS316 / Monel |
| 5 | Pin | Stainless Steel 316 |
| 6 | O-Ring | EPDM / NBR / VITON |
| 7 | Upper Bushing | Luberized Bronze / PTFE |
| 8 | Middle Bushing | Luberized Bronze / PTFE |
| 9 | Bottom Bushing | Luberized Bronze / PTFE |

Other materials not mentioned above are available on request

Technical Parameters

Flow bore : full port
 Face to face : ISO 5752 / DIN 3202 / MSS SP67 / API 609 / BS 5155
 Rating : DIN PN 10/16/25
 Testing : API 598
 Temp : 20° C to 130°C
 Application : Water, Seawater, Sewage,
 Flange Drilling : ANSI 125/150, BS4504, JIS 10K, AS 2129 Table
 D/E, BS10-E, PN 10/16

Features:

Low Operating Torque
 Mounting flange according to ISO 5211
 Actuator: lever, gear, electric & pneumatic actuator
 Economical type

Precision machining of the valve body and disc
 Valves liner and disc are replaceable.
 Clamping between flange

Main Dimension in (mm)

| mm | inch | H1 | H2 | H3 | L | Φ1 | Φ2 | Φ3 | Φ4 | | | Φ5 | Φ6 | Φ7 | n-M | | | n-d1 | n-d2 | H | K |
|-----|------|-----|-----|----|----|------|-----|--------|------------|------|------|-----|-----|-----|-----------|--------|--------|--------|--------|----|----|
| | | | | | | | | | ANSI B16.1 | PN10 | PN16 | | | | ANSI | PN10 | PN16 | | | | |
| 40 | 1.5" | 60 | 130 | 32 | 36 | 12.7 | 50 | 57.15 | 98.5 | 110 | 110 | 82 | 70 | 80 | 4-1/2"-13 | 4-M16 | 4-M16 | 4-7 | 4-6.8 | 10 | 10 |
| 50 | 2" | 76 | 162 | 32 | 45 | 12.7 | 50 | 57.15 | 120.65 | 125 | 125 | 88 | 70 | 80 | 4-5/8"-11 | 4-M16 | 4-M16 | 4-7 | 4-6.8 | 10 | 10 |
| 65 | 2.5" | 80 | 175 | 32 | 48 | 12.7 | 50 | 57.15 | 139.7 | 145 | 145 | 108 | 70 | 80 | 4-5/8"-11 | 4-M16 | 4-M16 | 4-7 | 4-6.8 | 10 | 10 |
| 80 | 3" | 95 | 181 | 32 | 49 | 12.7 | 50 | 57.15 | 152.4 | 160 | 160 | 118 | 70 | 80 | 4-5/8"-11 | 4-M16 | 8-M16 | 4-7 | 4-6.8 | 10 | 10 |
| 100 | 4" | 114 | 200 | 32 | 55 | 15.9 | 70 | 69.85 | 190.5 | 180 | 180 | 156 | 90 | 90 | 8-5/8"-11 | 8-M16 | 8-M16 | 4-9.5 | 4-10.3 | 12 | 12 |
| 125 | 5" | 127 | 213 | 32 | 58 | 19 | 70 | 69.85 | 215.9 | 210 | 210 | 181 | 90 | 90 | 8-3/4"-10 | 8-M16 | 8-M16 | 4-9.5 | 4-10.3 | 14 | 16 |
| 150 | 6" | 140 | 225 | 32 | 59 | 19 | 70 | 69.85 | 241.3 | 240 | 240 | 210 | 90 | 90 | 8-3/4"-10 | 8-M20 | 8-M20 | 4-9.5 | 4-10.3 | 14 | 16 |
| 200 | 8" | 173 | 260 | 45 | 64 | 22.2 | 102 | 88.9 | 298.45 | 295 | 295 | 260 | 125 | 120 | 8-3/4"-10 | 8-M20 | 12-M20 | 4-11.5 | 4-14.3 | 17 | 16 |
| 250 | 10" | 203 | 292 | 45 | 70 | 28.6 | 102 | 88.9 | 361.95 | 350 | 355 | 321 | 125 | 120 | 12-7/8"-9 | 12-M20 | 12-M24 | 4-11.5 | 4-14.3 | 22 | 24 |
| 300 | 12" | 237 | 337 | 45 | 80 | 31.7 | 102 | 107.95 | 431.8 | 400 | 410 | 384 | 125 | 140 | 12-7/8"-9 | 12-M20 | 12-M24 | 4-11.5 | 4-14.3 | 24 | 24 |

NOTE 1. The H2 dimensions may be changed into lengthened butterfly valve according to request of the users.
 2. Bi-directional dead-end capability to 200 psi 2" to 12" and 150 psi 14" to 36" is available; Operators mounted perpendicular to pipe.