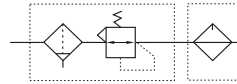


## F.R.L unit AC series(two-union)

Symbol:



AC2010-02

AC3010-03A

AC3010-03D

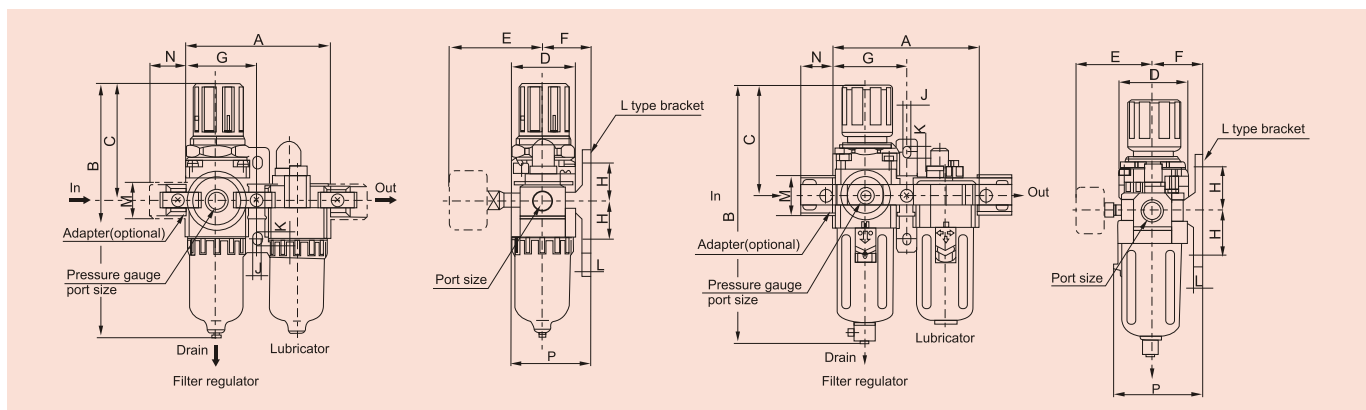
### How to order

| AC         | 2010      | - | 02        | D                      |
|------------|-----------|---|-----------|------------------------|
| F.R.L unit | Body size |   | Port size | Drain type             |
|            | 1010      |   | M5:M5     | Nil:Manual drain       |
|            | 2010      |   | 02:1/4 "  | A:Semi automatic drain |
|            | 3010      |   | 03:3/8 "  | D:Automatic drain      |
|            | 4010      |   | 04:1/2 "  |                        |
|            | 5010      |   | 06:3/4 "  |                        |
|            |           |   | 10:1 "    |                        |

### Specification

| Model                       | AC1010-M5<br>AC1010-M5A<br>AC1010-M5D | AC2010-02<br>AC2010-02A<br>AC2010-02D | AC3010-02<br>AC3010-02A<br>AC3010-02D | AC3010-03<br>AC3010-03A<br>AC3010-03D | AC4010-03<br>AC4010-03A<br>AC4010-03D | AC4010-04<br>AC4010-04A<br>AC4010-04D | AC4010-06<br>AC4010-06A<br>AC4010-06D | AC5010-06<br>AC5010-06A<br>AC5010-06D | AC5010-10<br>AC5010-10A<br>AC5010-10D |                  |
|-----------------------------|---------------------------------------|---------------------------------------|---------------------------------------|---------------------------------------|---------------------------------------|---------------------------------------|---------------------------------------|---------------------------------------|---------------------------------------|------------------|
| Component                   | Filter Regulator<br>Lubricator        | AW1000<br>AL2000                      | AW2000<br>AL2000                      | AW3000<br>AL3000                      | AW3000<br>AL3000                      | AW4000<br>AL4000                      | AW4000<br>AL4000                      | AW4000<br>AL4000                      | AW5000<br>AL5000                      | AW5000<br>AL5000 |
| Port size RC (PT)           | AM×0.8                                | 1/4 "                                 | 1/4 "                                 | 3/8 "                                 | 3/8 "                                 | 1/2 "                                 | 3/4 "                                 | 3/4 "                                 | 1 "                                   |                  |
| Pressure gauge port size    | 1/16 "                                | 1/8 "                                 | 1/8 "                                 | 1/8 "                                 | 1/8 "                                 | 1/4 "                                 | 1/4 "                                 | 1/4 "                                 | 1/4 "                                 |                  |
| Flow rate (L/Min)           | 90                                    | 500                                   | 1700                                  | 1700                                  | 3000                                  | 3000                                  | 3000                                  | 5000                                  | 5000                                  |                  |
| Fluid                       | Air                                   |                                       |                                       |                                       |                                       |                                       |                                       |                                       |                                       |                  |
| Proof pressure              | 1.5Mpa(15.3kgf/cm <sup>2</sup> )      |                                       |                                       |                                       |                                       |                                       |                                       |                                       |                                       |                  |
| Max.operating pressure      | 1.0Mpa(10.2kgf/cm <sup>2</sup> )      |                                       |                                       |                                       |                                       |                                       |                                       |                                       |                                       |                  |
| Ambient & fluid temperature | 5~60°C                                |                                       |                                       |                                       |                                       |                                       |                                       |                                       |                                       |                  |
| Nominal filtration rate     | 5 μ M                                 |                                       |                                       |                                       |                                       |                                       |                                       |                                       |                                       |                  |
| Recommended lubrication     | Turbine No.1 oil (ISO VG32)           |                                       |                                       |                                       |                                       |                                       |                                       |                                       |                                       |                  |
| Adjustable Pressure range   | 0.05~0.7Mpa                           |                                       |                                       |                                       | 0.05~0.85Mpa                          |                                       |                                       |                                       |                                       |                  |
| Bracket(1pcs)               | Y10T                                  | Y20T                                  | Y30T                                  | Y30T                                  | Y40T                                  | Y40T                                  | Y50T                                  | Y50T                                  | Y50T                                  |                  |
| Pressure gauge              | Y30-10-M5                             | Y40-6-1/8                             | Y40-6-1/8                             | Y40-10-18                             | Y50-6-1/4                             | Y50-10-1/4                            |                                       |                                       |                                       |                  |
| Weight (kg)                 | 0.22                                  | 0.66                                  | 0.98                                  | 0.98                                  | 1.93                                  | 1.93                                  | 1.99                                  | 2.7                                   | 2.7                                   |                  |
| Main parts material         | Body                                  | Aluminum alloy                        |                                       |                                       |                                       |                                       |                                       |                                       |                                       |                  |
|                             | Bowl                                  | PC                                    |                                       |                                       |                                       |                                       |                                       |                                       |                                       |                  |
|                             | Bowl guard                            | AC1010~AC2010:without                 |                                       |                                       |                                       | AC3010~AC5010:with(Iron)              |                                       |                                       |                                       |                  |

### Dimension



| Model     | Port size    | A   | B     | C    | D  | E    | F  | G    | H  | J   | K   | L | M    | N  |
|-----------|--------------|-----|-------|------|----|------|----|------|----|-----|-----|---|------|----|
| AC1010    | M5×0.8       | 58  | 109.5 | 50.5 | 25 | 26   | 25 | 29   | 20 | 4.5 | 7.5 | 5 | 17.5 | 16 |
| AC2010    | 1/4 "        | 90  | 164.5 | 78   | 40 | 56.8 | 30 | 45   | 24 | 5.5 | 8.5 | 5 | 22   | 23 |
| AC3010    | 1/4 ", 3/8 " | 117 | 211   | 92.5 | 53 | 60.8 | 41 | 58.5 | 35 | 7   | 11  | 7 | 34.5 | 26 |
| AC4010    | 3/8 ", 1/2 " | 154 | 262.5 | 112  | 70 | 70.5 | 50 | 77   | 40 | 9   | 13  | 7 | 42.2 | 26 |
| AC4010-06 | 3/4 "        | 164 | 267   | 114  | 70 | 70.5 | 50 | 82   | 40 | 9   | 13  | 7 | 46.2 | 36 |