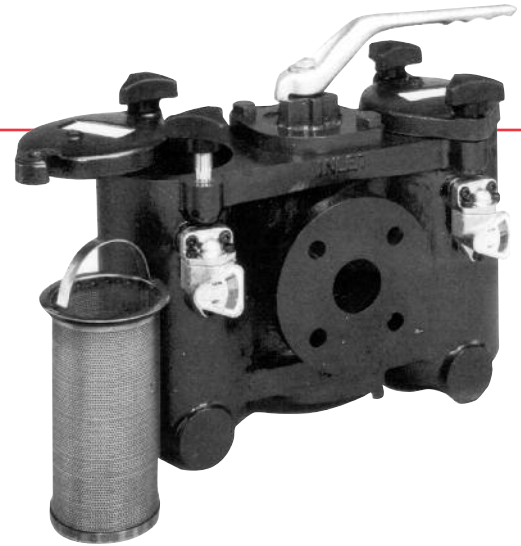
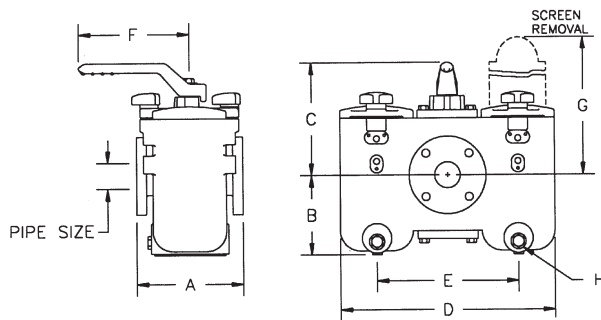


DUPLEX STRAINERS

Flanged



STYLE	BODY	DIVERTER
DPXF	CAST IRON-125 lb.	BRONZE
WDPXF	CAST IRON-125 lb.	IRON
CDPXF	CAST IRON-125 lb.	STAINLESS STEEL
BDPXF	CAST BRONZE-150 lb.	BRONZE
SDPXF	CAST CARBON STEEL-150 lb.	BRONZE
SCDPXF	CAST CARBON STEEL-150 lb.	STAINLESS STEEL
SSDPXF	CAST STAINLESS STEEL-150 lb.	STAINLESS STEEL



STANDARD SCREENS SUPPLIED

PIPE SIZE	SCREEN PERFORATION	OPEN AREA
1" to 1½"	⅛"	30%
2" to 8"	⅜"	43%

Options: Other perforations, meshes, and screen materials are available.

APPLICATIONS

Duplex strainers are used in continuous flow applications where the process can not be shut down for cleaning. Examples: lubrication systems, industrial or marine oil burners, chemical plants, cooling lines in power plants, compressors, condensers, and ink supply lines to printing presses. Duplex strainers are also specified for water lines to cooling towers, and pumping stations where water is taken from lakes or rivers.

WORKING PRESSURE—NON SHOCK

Not recommended for steam service

STYLE DPXF, WDPXF
WATER, OIL, GAS...200 PSI-150°F
BODY AND COVERS: ASTM A 126, CLASS B

STYLE CDPXF
WATER, OIL, GAS...200 PSI-120°F
BODY AND COVERS: ASTM A 126, CLASS B

STYLE BDPXF
WATER, OIL, GAS...225 PSI-150°F
BODY AND COVERS: ASTM B62

STYLE SDPXF, SCDPXF
WATER, OIL, GAS...285 PSI-100°F
BODY AND COVERS: ASTM A 216, GRADE WCB

STYLE SSDPXF
WATER, OIL, GAS...275 PSI-100°F
BODY AND COVERS: Type 316 A 351, GRADE CF8M

DIMENSIONS & SHIPPING WEIGHTS (APPROXIMATE)

PIPE SIZE	A	B	C	D	E	F	G	H	WEIGHT LBS.	
									IRON BODY	OTHERS
1"	6	4⅞	5⅞	10⅞	6⅞	6⅞	8⅞	½	38	44
1½"	6⅞	5¾	6⅞	11⅞	7¼	6⅞	12	½	53	62
2"	8¼	6⅞	8¾	16¾	11	8¼	13⅞	½	117	139
2½"	8¼	6⅞	8¾	16¾	11	8¼	13⅞	½	119	141
3"	10½	8¼	10⅞	19¼	13	9⅞	17¼	½	190	225
4"	12½	10⅞	11⅞	21¼	15	9⅞	22⅞	½	282	302
* 5"	18⅞	10⅞	13	23½	16	15	22⅞	½	619	663
* 6"	18⅞	10⅞	13	23½	16	15	22⅞	½	629	673
8"	22	20½	21⅞	40⅞	27⅞	19⅞	47⅞	½	1632	1985

* 5" AND 6" DUPLEX STRAINERS HAVE A FOUR BASKET DESIGN.

Certified Dimensional Sheets Available.