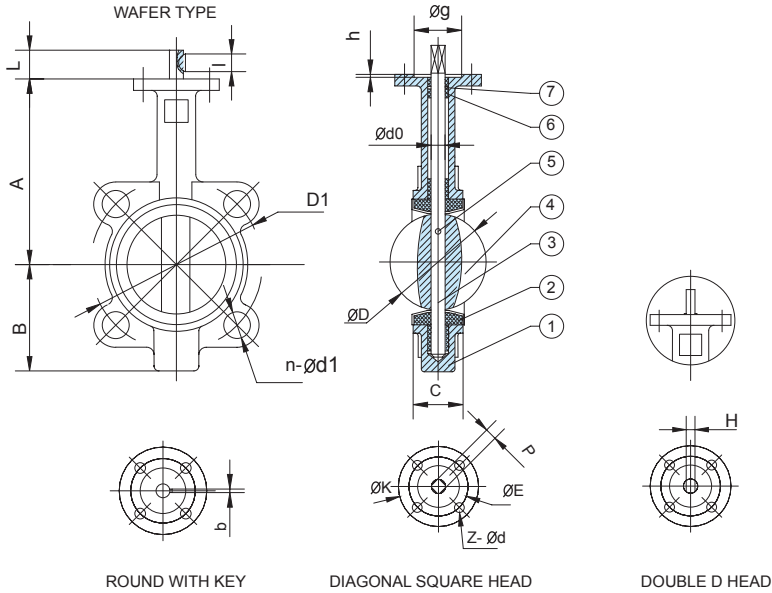


Wafer Butterfly Valve



STANDARD MATERIALS OF MAIN PARTS

| NO. | PART | MATERIAL |
|-----|---------|--|
| 1 | Body | Cast Iron ,Ductile Iron ,Carbon Steel ,Stainless Steel |
| 2 | Seat | NBR,EPDM,Viton,Neoprene ,Hypalon,Silicon |
| 3 | Shaft | Stainless Steel416,316,304 |
| 4 | Disc | Ductile Iron +Ni,CF8,CF8M,Bronze |
| 5 | Pin | Stainless Steel |
| 6 | Bushing | PTFE,Bronze |
| 7 | O Ring | NBR,EPDM |

DIMENSIONS

| SIZE | in | DN | A | B | C | D | L | d0 | P | H | key | | UPPER FLANGE | | | | ANSI 150 | | DIN PN16/10 | |
|-------|------|-----|-----|-------|-------|---------|-------------|-------|----|----|----------|-----|--------------|------|-----|------|----------|-------|-------------|----------|
| | | | | | | | | | | | bxl | K | E | z-d | g | h | D1 | n-d1 | D1 | n-d1 |
| 1-1/2 | 40 | 145 | 75 | 33 | 42.4 | 32 | 32 | 12.6 | - | - | 3X16 | 77 | 50 | 4-7 | 35 | 98.5 | 4-16 | 110 | 4-18 | |
| 2 | 50 | 161 | 80 | 42 | 52.6 | 32 | 32 | 12.6 | 9 | 10 | 3X16 | 77 | 50 | 4-7 | 35 | 3 | 120.5 | 4-19 | 125 | 4-18 |
| 2-1/2 | 65 | 175 | 89 | 44.7 | 64.5 | 32 | 32 | 12.6 | 9 | 10 | 3X16 | 77 | 50 | 4-7 | 35 | 3 | 139.5 | 4-19 | 145 | 4-18 |
| 3 | 80 | 181 | 95 | 45.2 | 78.8 | 32 | 32 | 12.6 | 9 | 10 | 3X16 | 77 | 50 | 4-7 | 35 | 3 | 152.5 | 4-19 | 160 | 4/8-18 |
| 4 | 100 | 200 | 114 | 52.1 | 104 | 32 | 32 | 15.77 | 11 | 12 | 5X19 | 90 | 70 | 4-9 | 55 | 3 | 190.5 | 8-19 | 180 | 8-18 |
| 5 | 125 | 213 | 127 | 54.4 | 123.3 | 32 | 32 | 18.92 | 14 | 14 | 5X19 | 90 | 70 | 4-9 | 55 | 3 | 216 | 8-22 | 210 | 8-18 |
| 6 | 150 | 226 | 139 | 55.8 | 155.6 | 32 | 32 | 18.92 | 14 | 14 | 5X19 | 90 | 70 | 4-9 | 55 | 3 | 241.5 | 8-22 | 240 | 8-23 |
| 8 | 200 | 260 | 175 | 60.6 | 202.5 | 45 | 45 | 22.1 | 17 | 17 | 5X19 | 125 | 102 | 4-12 | 70 | 3.5 | 298.5 | 8-22 | 295 | 8/12-23 |
| 10 | 250 | 292 | 203 | 65.6 | 250.5 | 45 | 45 | 28.45 | 22 | 22 | 8X28 | 125 | 102 | 4-12 | 70 | 3.5 | 362 | 12-25 | 350/355 | 12-23/27 |
| 12 | 300 | 337 | 242 | 76.9 | 301.6 | 45 | 45 | 31.6 | 22 | 24 | 8X28 | 140 | 102 | 4-12 | 70 | 3.5 | 432 | 12-25 | 400/410 | 12-23/27 |
| 14 | 350 | 368 | 267 | 76.5 | 333.3 | 45 | 45 | 31.6 | 22 | 24 | 8X28 | 140 | 102 | 4-12 | 70 | 3.5 | 476 | 12-29 | 460/470 | 16-23/27 |
| 16 | 400 | 400 | 309 | 86.5 | 389.6 | 51.2/72 | 33.15/38 | 24 | 24 | 24 | 10X50 | 197 | 140 | 4-18 | 100 | 4 | 540 | 16-29 | 515/525 | 16-27/30 |
| 18 | 450 | 422 | 328 | 106.6 | 440.5 | 51.2/72 | 38/42.86 | 27 | 27 | 27 | 10X50 | 197 | 140 | 4-18 | 100 | 4 | 578 | 16-32 | 565/585 | 20-27/30 |
| 20 | 500 | 480 | 361 | 131.8 | 491.6 | 64.2/82 | 41.15/45.72 | 36 | 32 | 32 | 10X50 | 197 | 140 | 4-18 | 100 | 4 | 635 | 20-32 | 620/650 | 20-27/33 |
| 24 | 600 | 562 | 459 | 152 | 592.5 | 70.2/82 | 50.65/53.98 | 36 | 36 | 36 | 2-16X60 | 276 | 165 | 4-23 | 130 | 5 | 749.5 | 20-35 | 725/770 | 20-30/36 |
| 28 | 700 | 624 | 520 | 163 | 695 | 66/82 | 55/63.35 | - | - | - | 2-18X63 | 300 | 254 | 8-18 | 200 | 5.5 | 863.5 | 28-35 | 840 | 24-30/36 |
| 30 | 750 | 660 | 539 | 165 | 744.3 | 66/82 | 55/63.35 | - | - | - | 2-18X63 | 300 | 254 | 8-18 | 200 | 5.5 | 914.5 | 28-35 | - | - |
| 32 | 800 | 672 | 591 | 188 | 794.7 | 66/82 | 55/63.35 | - | - | - | 2-18X63 | 300 | 254 | 8-18 | 200 | 5.5 | 978 | 28-41 | 950 | 24-33/39 |
| 36 | 900 | 720 | 656 | 203 | 864.7 | 118 | 75 | - | - | - | 2-20X100 | 300 | 254 | 8-18 | 200 | 5.5 | 1086 | 32-41 | 1050 | 28-33/39 |
| 40 | 1000 | 800 | 721 | 216 | 965 | 142 | 85 | - | - | - | 2-20X100 | 300 | 254 | 8-18 | 200 | 5.5 | 1200 | 36-41 | 1160/1170 | 28-36/42 |

- Type: Wafer
- Face to Face: API609,BS5155,DIN3202, ISO5752
- Flange: DIN,BS,UNI,ISO,ANSI, AS,JIS
- Mounting Flange: ISO5211
- Working Pressure: PN16(200PSI)
- Application: HVAC,Water Supply&Sewage, Food&Beverage. Chemical/ petrochemical/processing, Power and Utilities,Paper and Pulp, Ship Building