



Manufacturer: -
BARTON FIRTOP ENGINEERING COMPANY LIMITED
 Stoke Heath Works, Hanbury Road.
 Bromsgrove. Worcestershire. B60 4LT.
 ENGLAND
 Telephone: (44) 01527 831644
 Fax: (44) 01527 832638
 E-mail: sales@bartonfirtop.co.uk

Data Sheet Number:
SDD/YLD/R150/STL
 Revision: **07**

R/F - 150LB RATING LIGHT DUTY 'Y'-TYPE STRAINER

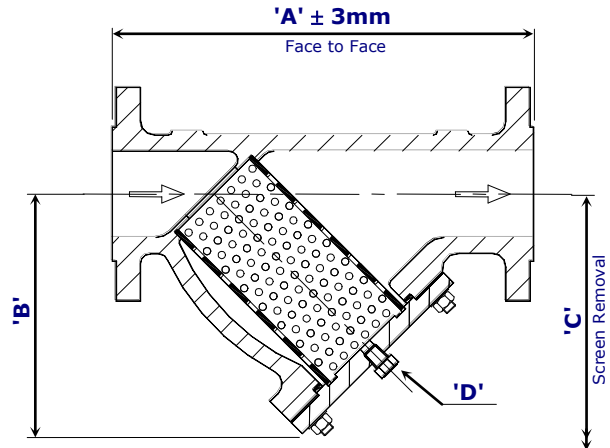
Sizes: ½" to 12" Nominal Bore

Pressure: ASME Class 150LB

- Features:**
- Integrally Cast Housing.
 - Bolted Cover c/w Drain Plug.
 - Red oxide Finish (Carbon Steel).
 - 3mm Perf. Screen as Standard.

- Options:**
- Special Gasket, Special Screen.
 - D.P. Tappings/Gauge.
 - Magnetic Screen Insert.
 - Flanged Drains / Drain Valves.
 - Special Finish / Linings.

Standards: PED 2014/68/EU.
 ASME B16.5 Flange Dimensions.
 EN 10204 / NACE Certification.



All data is subject to confirmation at the time of order. Our policy is one of continual improvement and we reserve the right to amend details without prior notice.

Size		Dimensions				Screen Area (cm ²)	Weight (KG)
		'A' Face to Face	'B' Base to Centre line	'C' Screen Removal	'D' Drain (NPT)		
Inch	mm						
½"	15	170.0	95.0	165.0	½"	80.0	3.0
¾"	20	170.0	95.0	165.0	½"	80.0	4.0
1"	25	185.0	110.0	185.0	½"	126.5	6
1½"	40	270.0	140.0	230.0	½"	199.0	10.5
2"	50	275.0	180.0	285.0	½"	333.0	17.0
3"	80	360.0	220.0	355.0	½"	574.5	29.5
4"	100	435.0	260.0	410.0	½"	923.4	49.0
6"	150	560.0	340.0	552.0	½"	1894.0	97.0
8"	200	655.0	440.0	705.0	¾"	2870.0	180.0
10"	250	880.0	600.0	1000.0	¾"	5000.0	340.0
12"	300	970.0	640.0	1040.0	¾"	6375.0	510.0

Item	Materials of Construction	
	Carbon Steel	Stainless Steel
Strainer Body (Cast)	ASME SA216 WCB	ASME SA351 CF8M
*Strainer Cover	ASME SA516 Gr60 / SA216 WCB	ASME SA240 316 / SA351 CF8M
Drain Plug (Forged)	ASME SA105N	ASME SA182 F316
Cover Studbolts	ASME SA193 B7M - Zinc Plated	
Cover Full Nuts	ASME SA194 2HM - Zinc Plated	
Cover Gasket (Flat)	C.N.A.F. as Standard / to Customer Specification	
Screen (Perforated)	St.St. 316 (3mm Perf. as Standard / to Customer Specification)	

* The Strainer cover may be furnished from Plate or Casting depending upon size / availability.

Model Number Derivation: -

The model number can be derived as follows: - **A***/R15/***/YLD**

Denotes the size i.e. add '025' for a 1" _____

'216' denotes Carbon Steel
 '351' denotes Stainless Steel

For more information, visit our Web Site: www.bartonfirtop.co.uk