



Manufacturer: -  
**BARTON FIRTOP ENGINEERING COMPANY LIMITED**  
 Stoke Heath Works, Hanbury Road.  
 Bromsgrove. Worcestershire. B60 4LT.  
 ENGLAND  
 Telephone: (44) 01527 831644  
 Fax: (44) 01527 832638  
 E-mail: sales@bartonfirtop.co.uk

Data Sheet Number:  
**SDD/MQR/R150/STL**  
 Revision: **06**

## R/F - 150LB RATING QUICK-RELEASE MONO-IN-LINE STRAINER

**Sizes:** 1" to 12" Nominal Bore

**Pressure:** ASME Class 150LB

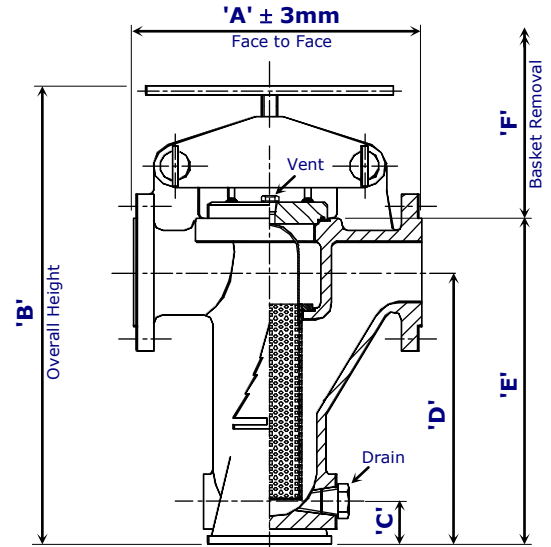
**Features:**

- Integrally Cast Housing.
- Quick-Release Closure.
- Red oxide Finish as standard (c/s).
- 3mm Perf. Basket as Standard.
- Integral feet on 6" and over.

**Options:**

- Special Gasket, Special Basket.
- D.P. Tappings/Gauge.
- Magnetic Basket Insert.
- Flanged Drains / Drain Valves.
- Special Finish / Linings.

**Standards:** PED 2014/68/EU.  
 ASME B16.5 Flange Dimensions.  
 EN 10204 / NACE Certification.



All data is subject to confirmation at the time of order. Our policy is one of continual improvement and we reserve the right to amend details without prior notice.

Size		Dimensions						Basket Area (cm <sup>2</sup> )	Vent (NPT)	Drain (NPT)	Weight (kg)
		'A' Face to Face	'B' Overall Height	'C' Base to Drain	'D' Base to Centreline	'E' Base to Cover	'F' Basket Removal				
1"	25	225.0	345.0	28.0	190.0	225.0	200.0	241.0	¼"	¾"	14.0
1½"	40	240.0	420.0	35.0	254.0	297.0	275.0	375.0	¼"	¾"	19.5
2"	50	315.0	490.0	38.0	314.0	362.0	340.0	488.0	¼"	¾"	27.5
3"	80	365.0	570.0	40.0	342.0	411.0	375.0	652.0	3/8"	¾"	47.5
4"	100	445.0	695.0	47.0	426.0	505.0	450.0	1088.0	3/8"	1"	70.0
6"	150	600.0	990.0	95.0	619.0	734.0	630.0	2151.0	½"	1½"	170.0
8"	200	715.0	1190.0	112.5	787.0	927.0	800.0	3973.0	½"	1½"	330.0
10"	250	855.0	1415.0	120.0	908.0	1077.0	940.0	5304.0	½"	1½"	520.0
12"	300	1015.0	1570.0	175.0	1152.0	1367.0	1180.0	8295.0	½"	2"	910.0

Materials of Construction		
Item	Carbon Steel	Stainless Steel
Strainer Body (Cast)	ASME SA216 WCB	ASME SA351 CF8M
*Strainer Cover	ASME SA516 Gr60 / SA216 WCB	ASME SA240 316 / SA351 CF8M
Strainer Basket	St.St. 316 (3mm Perf. as Standard / to Customer Specification)	
Cover Gasket (O-ring)	Nitrile as Standard / to Customer Specification.	
Vent Plug	ASME SA105N	ASME SA182 F316
Drain Plug	ASME SA105N	ASME SA182 F316
Strongback	ASME SA216 WCB	ASME SA351 CF8M
Screw Handle	ASME SA193 B7M - Zinc Plated / St.St. 316 Handle	
Quick Release Pin	BS 970 080 M40 - Zinc Plated	
Linch pin	Carbon Steel - Zinc Plated	

\* The Strainer cover may be furnished from Plate or Casting depending upon size / availability.

### Model Number Derivation: -

The model number can be derived as follows: - **A\*\*\*/R15/\*\*\*/MQR**

Denotes the size i.e. add '025' for a 1" \_\_\_\_\_

'216' denotes Carbon Steel

'351' denotes Stainless Steel

For more information, visit our Web Site: [www.bartonfirtop.co.uk](http://www.bartonfirtop.co.uk)