

# Wafer Butterfly Valve

**PN25, DN50 to DN300**

**PN16, up to DN600**

A tight shut-off valve designed  
in accordance to EN593

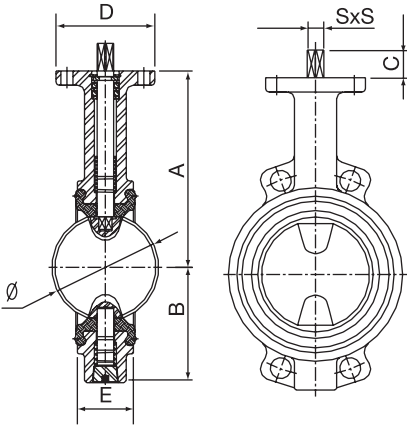
- Polished disc edge for improved concentric sealing and lower torque
- Rubber liner is replaceable and fully isolates body and stem
- O-ring moulded in the liner eliminates the need for flange gasket
- With locating holes for easier installation and centring
- Actuator-ready with top-flange in accordance to ISO5211/1



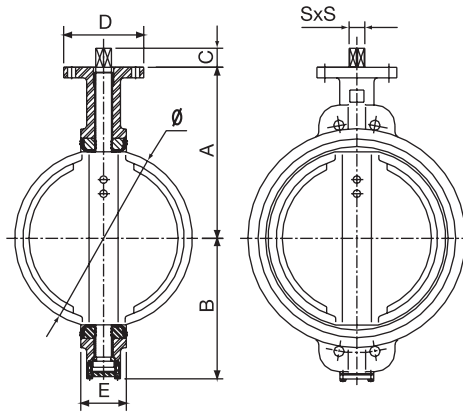
The Wafer Butterfly Valve is available with various disc and seat material variations to suit a wide range of applications. It should be installed with its shaft horizontal, lower edge of disc opening downstream.

PN25, DN50 to DN300  
PN16, up to DN600

Size 50-300



Size 350-600



### Working Pressure, PS

16 bar / PN16 or 125#  
from DN50 to 600

25 bar / PN25 or 250#  
from DN50 to 300

### Temperature

EPDM liner -10 to 120°C  
NBR liner -10 to 82°C  
Viton liner -10 to 150°C

### Construction

In accordance to EN593, BS5155  
or MSS-SP-67

EN12266-1 Rate B  
Liner is replaceable up to DN300,  
vulcanised from DN350

### Coating

Epoxy 50 µm mini  
FBE 200 µm mini also available

### Top Flange

according to ISO5211/1

### Flange Type

EN 1092-2 PN10/PN16/PN25  
ANSI B16.1 125# and 250#  
BS10 Table D/E  
JIS 10K/16K

### Face to Face

EN588-1 Series 20  
(DN350 to 450 per  
manufacturer's standard)

## Materials Specification

Part Name	Material	EN Spec	ASTM Spec
Body*	Cast Iron	EN-JL 1040	A126 Class B
Shaft	Stainless Steel	BS970 420S37	AISI 420
Disc	Stainless Steel	BS970 304S15	A351 CF8
	Bronze	EN1982 CC491K	B62 C83600
	Ductile Iron Chrome Plated or FBE Coated	EN-JS1050	A536 65-45-12
Bushing	PTFE	Commercial	Commercial
Liner	EPDM/NBR/Viton	Commercial	Commercial
O-Ring	EPDM/NBR/Viton	Commercial	Commercial

Note\*: Ductile Iron body EN-JS1050 for PN25 and 250#

## Dimensions (mm)

Size	50	65	80	100	125	150	200	250	300	350	400	450	500	600	
A	161	175	181	200	215	225	241	296	336	368	400	422	480	562	
B	80	91	95	115	134	138	174	198	234	280	310	340	388	450	
C	30	30	30	30	30	30	30	30	30	45	45	45	45	45	
D	90	90	90	90	90	90	125	125	125	150	175	175	210	210	
E	43	45	46	51.5	56	56.5	60	68.5	79.5	78	88	109	127	154	
Φ	56.8	71.5	83	101.5	127.8	151.1	200.5	251.3	300.5	335.5	393.5	443.5	500.5	600.8	
SxS	11x11			14x14			17x17			22x22			27x27		round, Ø48
Weight (kg)	4.4	5.4	5.6	7.4	10	12.2	16.9	26.3	36.3	66.7	110	130	157	222	