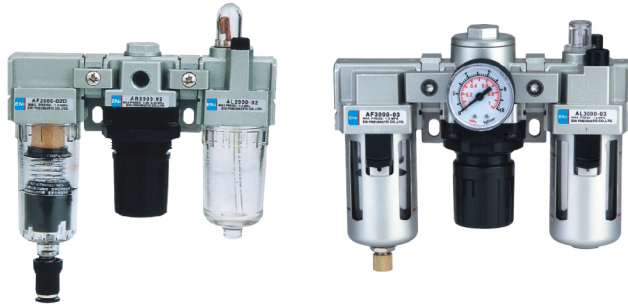
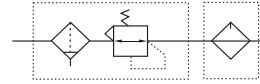




## F.R.L unit AC series(three-union)

Symbol:



AC2000-02D

AC3000-03A

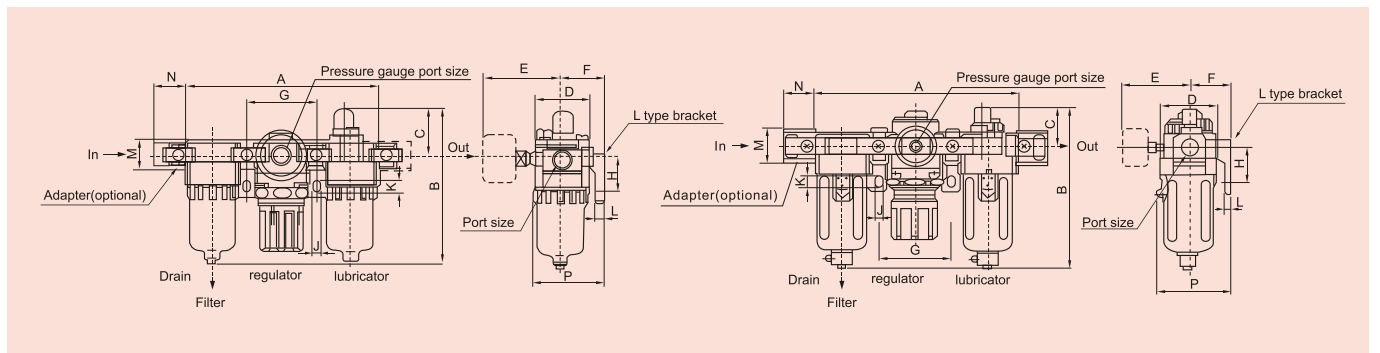
### How to order

AC	2000	-	02	D
F.R.L unit	Body size		Port size	Drain type
	1000		M5:M5	Nil:Manual drain
	2000		02:1/4 "	A:Semi automatic drain
	2500		03:3/8 "	D:Automatic drain
	3000		04:1/2 "	
	4000		06:3/4 "	
	5000		10:1 "	

### Specification

Model	AC1000-M5	AC2000-02	AC2500-02	AC2500-03	AC3000-02	AC3000-03	AC4000-03	AC4000-04	AC4000-06	AC5000-06	AC5000-10	
	AC1000-M5A	AC2000-02A	AC2500-02A	AC2500-03A	AC3000-02A	AC3000-03A	AC4000-03A	AC4000-04A	AC4000-06A	AC5000-06A	AC5000-10A	
	AC1000-M5D	AC2000-02D	AC2500-02D	AC2500-03D	AC3000-02D	AC3000-03D	AC4000-03D	AC4000-04D	AC4000-06D	AC5000-06D	AC5000-10D	
Component	Filter	AF1000	AF2000	AF2500	AF2500	AF3000	AF3000	AF4000	AF4000	AF4000	AF5000	AF5000
	Regulator	AR1000	AR2000	AR2500	AR2500	AR3000	AR3000	AR4000	AR4000	AR4000	AR5000	AR5000
	Lubricator	AL1000	AL2000	AL2500	AL2500	AL3000	AL3000	AL4000	AL4000	AL4000	AL5000	AL5000
Port size RC (PT)	M5×0.8	1/4 "	1/4 "	3/8 "	1/4 "	3/8 "	3/8 "	1/2 "	3/4 "	3/4 "	1 "	
Pressure gauge port size	M5×0.8	1/8 "	1/8 "	1/8 "	1/8 "	1/8 "	1/4 "	1/4 "	1/4 "	1/4 "	1/4 "	
Flow rate (L/Min)	90	900	1500	1500	2000	2000	4000	4000	4500	5000	5000	
Fluid	Air											
Proof pressure	1.5Mpa(15.3kgf/cm <sup>2</sup> )											
Max.operating pressure	1.0Mpa(10.2kgf/cm <sup>2</sup> )											
Ambient & fluid temperature	5~60°C											
Nominal filtration rate	5 μ M											
Recommended lubrication	Turbine No.1 oil (ISO VG32)											
Adjustable Pressure range	0.05~0.7Mpa			0.05~0.85Mpa								
Bracket(2pcs)	Y10L	Y20L	Y30L	Y30L	Y30L	Y30L	Y40L	Y40L	Y50L	Y60L	Y60L	
Pressure gauge	Y30-10-M5	Y40-4-1/8	Y40-6-1/8	Y40-10-1/8				Y50-6-1/4	Y50-10-1/4			
Weight (kg)	0.26	0.74	1.04	1.04	1.18	1.18	2.14	2.14	2.47	3.82	3.82	
Main parts material	Body	Aluminum alloy										
	Bowl	PC										
	Bowl guard	AC1000~AC2500:without					AC3000~AC5000:with(Iron)					

### Dimension



Model	Port size	A	B	C	D	E	F	G	H	J	K	L	M	N	P
AC1000	M5×0.8	91	84.5	25.5	25	26	25	33	20	4.5	7.5	5	17.5	16	38.5
AC2000	1/4 "	140	125	38	40	56.8	30	50	24	5.5	8.5	5	22	23	50
AC2500	1/4 " , 3/8 "	181	156.5	38	53	60.8	41	64	35	7	11	7	34.2	26	70.5
AC3000	1/4 " , 3/8 "	181	156.5	38	53	60.8	41	64	35	7	11	7	34.2	26	70.5
AC4000	3/8 " , 1/2 "	283	191.5	41	70	65.5	50	84	40	9	13	7	42.2	33	88
AC4000-06	3/4 "	253	193	40.5	70	69.5	50	89	40	9	13	7	46.2	36	88
AC5000	3/4 " , 1	300	271.5	48	90	75.5	70	105	50	12	16	10	55.2	40	115