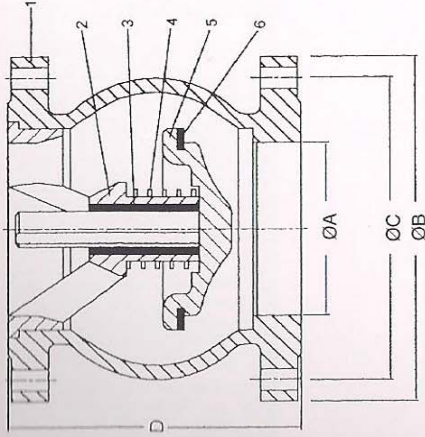




FIG 98 FLANGE TYPE SILENT CHECK VALVE

TECHNICAL SPECIFICATION AND DIMENSION



S/NO	PART NAME	MATERIAL
1	Body	Cast Iron (GG25)/Ductile Iron (GGG40)
2	Bracket	Cast Iron (GG25)/Ductile Iron (GGG40)
3	Bushing	Bronze
4	Spring	Stainless Steel
5	Disc	Stainless Steel
6	Seat	EPDM

Other materials except above are available on request.

Operating Pressure : 16 Bar

Operating Temperature : 110° C

*Applicable Fluids : Water, Warm Water, Sea Water
 Flanges Standard : PN 10/16, ANSI150 LBS, JIS10K & TABLE E

NOMINAL PIPE SIZE (DN)		DIMENSION			
		ØA	ØB	ØC	D
MM	INS	MM	MM	MM	MM
50	2	55	165	125	100
65	2 1/2	65	185	145	120
80	3	80	200	160	135
100	4	105	220	180	165
125	5	125	250	210	200
150	6	150	285	240	231
200	8	200	340	295	288
250	10	250	405	350	354
300	12	300	460	400	395
350	14	322	555	445	473



Advantages

- ~ Operates in any position
- ~ Minimum head loss
- ~ Silent, reliable sealing, compact
- ~ Exceptional robustness
- ~ Does not generate hammering
- ~ Closing system : long back axial guiding for reduced displacement
- ~ Sealing guaranteed by a flat seal
- ~ Return spring

General Description

AFA Flange Type Silent Check Valve are designed for liquid service. Spring automatically closes disc at zero flow - before flow reversal occurs and thereby prevents surge and water hammer. AFA Flange Type Silent Check Valve can be installed in any position.