



Solenoid valve 3V series Air valve 3A series

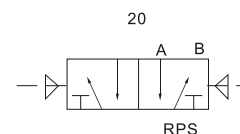
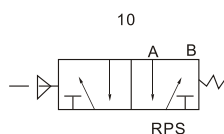
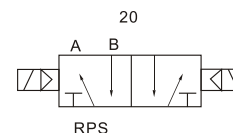
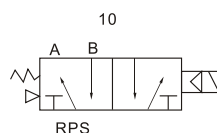
Symbol:



3V110-06



3V310-10



How to order

3V	1	10	-	06	AC110V
Series code V: solenoid valve A: air valve	Series 1: 100 series 2: 200 series 3: 300 series	Position & coil 10:2/3 way single electrical control 20:2/3 way double electrical control		Port size 06: 1/8 " 08: 1/4 " 10: 3/8 "	Voltage DC12V DC24V AC24V 50/60Hz AC110V 50/60Hz AC220V 50/60Hz AC380V 50/60Hz

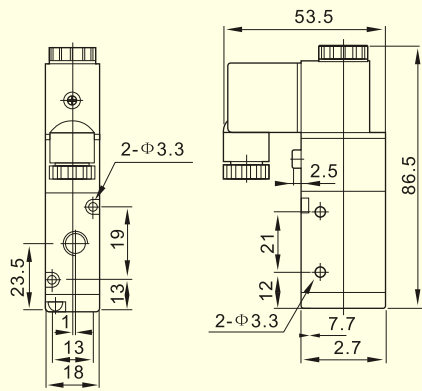
3A	1	10	-	06
Series code V: solenoid valve A: air valve	Series 1: 100 series 2: 200 series 3: 300 series	Position & coil 10:2/3 way single electrical control 20:2/3 way double electrical control		Port size 06: 1/8 " 08: 1/4 " 10: 3/8 "

Specification

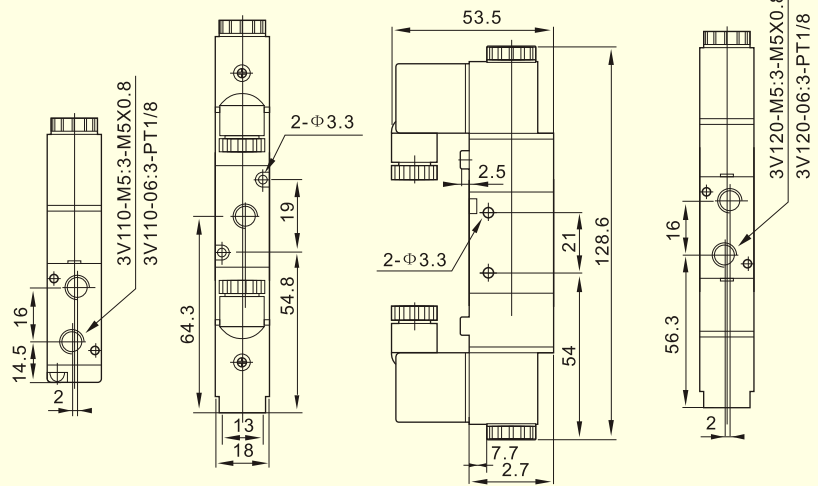
Model	3V110-M5 3A110-M5	3V110-06 3A110-06	3V210-06 3A210-06	3V210-08 3A210-08	3V310-08 3A310-08	3V310-10 3A310-10	3V120-M5 3A120-M5	3V120-06 3A120-06	3V220-06 3A220-06	3V220-08 3A220-08	3V320-08 3A320-08	3V320-10 3A320-10
Fluid	Air(filtered through 40 μ filter element)											
Action	Internally piloted acting type											
Valve type	2/3 Way											
Effective area(mm ²)	10mm ² (CV=0.56)						7mm ² (CV=0.40)					
Port size												
Lubrication	Not required											
Operating pressure	1.5~0.8kgf/cm ²											
Proof pressure	10.5kgf/cm ²											
Ambient & fluid temperature	0~60°C											
Voltage range	±10%											
Power consumption	AC:1.3W DC:1.5W											
Insulation grade	F grade											
Protection	IP65(DIN 40050)											
Connection	Lead wire type or terminal type											
Max.frequency	5 cycle/sec.											
Min.response time	0.05 sec.											
Weight (kg)												
Main parts material	Body	Aluminum alloy										
	Seal	NBR										

Dimension

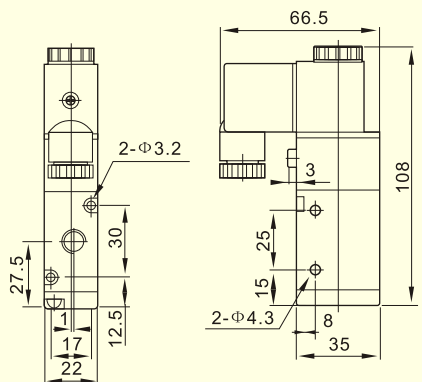
3V110-M5(06)



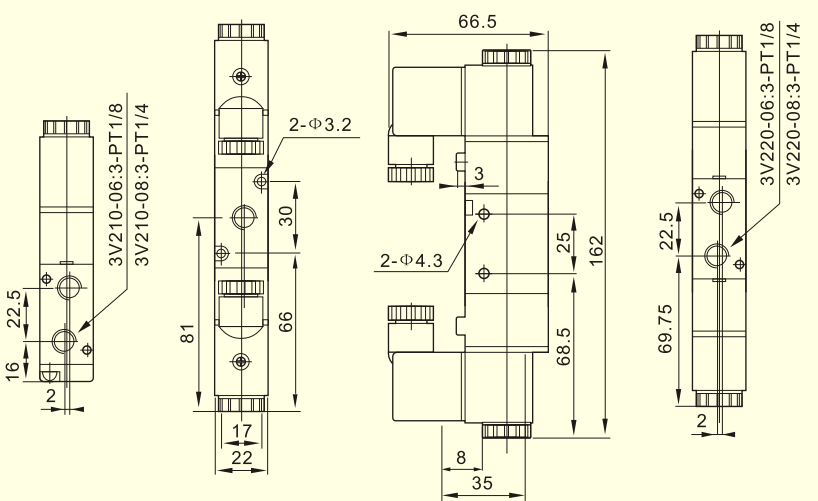
3V120-M5(06)



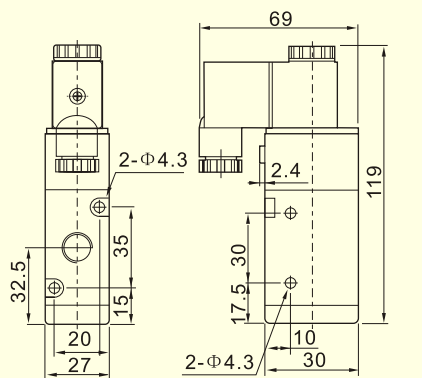
3V210-06(08)



3V220-06(08)



3V310-08(10)



3V320-08(10)

